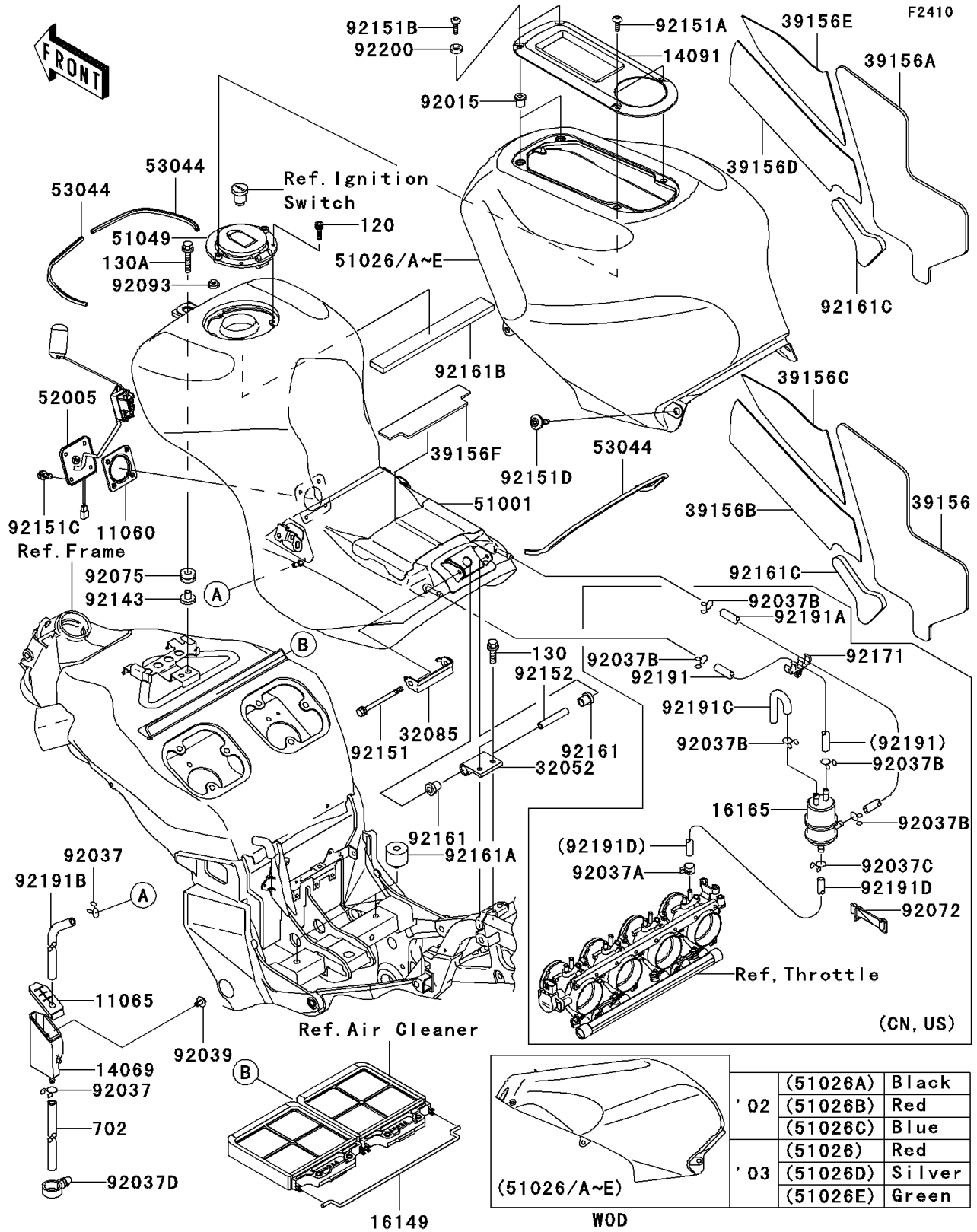


2003 Ninja® ZX™-12R PARTS DIAGRAM

Fuel Tank(B1/B2)



'02	(51026A)	Black
	(51026B)	Red
	(51026C)	Blue
'03	(51026)	Red
	(51026D)	Silver
	(51026E)	Green

2003 Ninja® ZX™-12R PARTS LIST

Fuel Tank(B1/B2)

ITEM NAME	PART NUMBER	QUANTITY
GASKET,FUEL GAUGE (Ref # 11060)	11060-1952	1
CAP,BREATHER (Ref # 11065)	11065-1179	1
BREATHER,FUEL TANK DRAIN (Ref # 14069)	14069-1065	1
COVER,FUEL TANK COVER CAP (Ref # 14091)	14091-1145	1
BAR,FUEL TANK (Ref # 16149)	16149-1119	1
BRACKET-TANK,RR (Ref # 32052)	32052-1500	1
STOPPER,FUEL TANK,RR (Ref # 32085)	32085-1507	1
PAD,FUEL TANK COVER,RR,UPP,LH (Ref # 39156)	39156-1627	1
PAD,FUEL TANK COVER,RR,UPP,RH (Ref # 39156A)	39156-1628	1
PAD,FUEL TANK COVER,FR,LWR,LH (Ref # 39156B)	39156-1688	1
PAD,FUEL TANK COVER,FR,UPP,LH (Ref # 39156C)	39156-1689	1
PAD,FUEL TANK COVER,FR,LWR,RH (Ref # 39156D)	39156-1690	1
PAD,FUEL TANK COVER,FR,UPP,RH (Ref # 39156E)	39156-1691	1
PAD,FUEL TANK (Ref # 39156F)	39156-1695	1
TANK-COMP-FUEL,M.GRAYSTONE (Ref # 51001)	51001-1666-C4	1
COVER TANK,FUEL,C.S.RED (Ref # 51026)	51026-1051-ED	1
COVER TANK,FUEL,L.GREEN (Ref # 51026E)	51026-1051-7F	1
CAP-TANK,FUEL (Ref # 51049)	51049-1145	1
GAUGE,FUEL (Ref # 52005)	52005-1158	1
TRIM (Ref # 53044)	53044-1296	3
NUT (Ref # 92015)	92015-1700	2
CLAMP,TUBE (Ref # 92037)	92037-010	2
CLAMP,HOSE (Ref # 92037D)	92037-1827	1
RIVET (Ref # 92039)	92039-1256	1
BOLT-SOCKET (Ref # 120)	120S0512	3
BOLT-FLANGED (Ref # 130)	130J0620	2
BOLT-FLANGED,6X30,BLACK (Ref # 130A)	130J0630	1
TUBE-RUBBER,6X9X420 (Ref # 702)	702A06420	1
DAMPER (Ref # 92075)	92075-1690	1

2003 Ninja® ZX™ -12R PARTS LIST

Fuel Tank(B1/B2)

ITEM NAME	PART NUMBER	QUANTITY
SEAL,FUEL TANK CAP (Ref # 92093)	92093-1030	1
COLLAR (Ref # 92143)	92143-1515	1
BOLT,6X80 (Ref # 92151)	92151-1200	1
BOLT,SOCKET,6X10 (Ref # 92151A)	92151-1449	2
BOLT,SOCKET,6X14 (Ref # 92151B)	92151-1554	2
BOLT,5X12 (Ref # 92151C)	92151-1599	4
BOLT,SOCKET,6MM (Ref # 92151D)	92151-1866	2
COLLAR,6.8X10X60 (Ref # 92152)	92152-1182	1
DAMPER (Ref # 92161)	92161-1070	2
DAMPER (Ref # 92161A)	92161-1116	2
DAMPER (Ref # 92161B)	92161-1117	1
DAMPER,FUEL TANK COVER,RR,LWR (Ref # 92161C)	92161-1153	2
TUBE (Ref # 92191B)	92191-1468	1
WASHER,6.2X10X1 (Ref # 92200)	92200-1465	2
SEPARATOR (Ref # 16165)	16165-1001	1
COVER TANK,FUEL,M.SILVER (Ref # 51026D)	51026-1051-473	1
CLAMP,TUBE (Ref # 92037A)	92037-1461	1
CLAMP,TUBE (Ref # 92037B)	92037-147	5
CLAMP (Ref # 92037C)	92037-1712	1
BAND (Ref # 92072)	92072-1085	1
CLAMP (Ref # 92171)	92171-1213	1
TUBE,SEPARATOR,BLUE (Ref # 92191)	92191-1381	1
TUBE,SEPARATOR,RED (Ref # 92191A)	92191-1382	1
TUBE,SEPARATOR (Ref # 92191C)	92191-1654	1
TUBE,SEPARATOR,WHITE (Ref # 92191D)	92191-1742	1