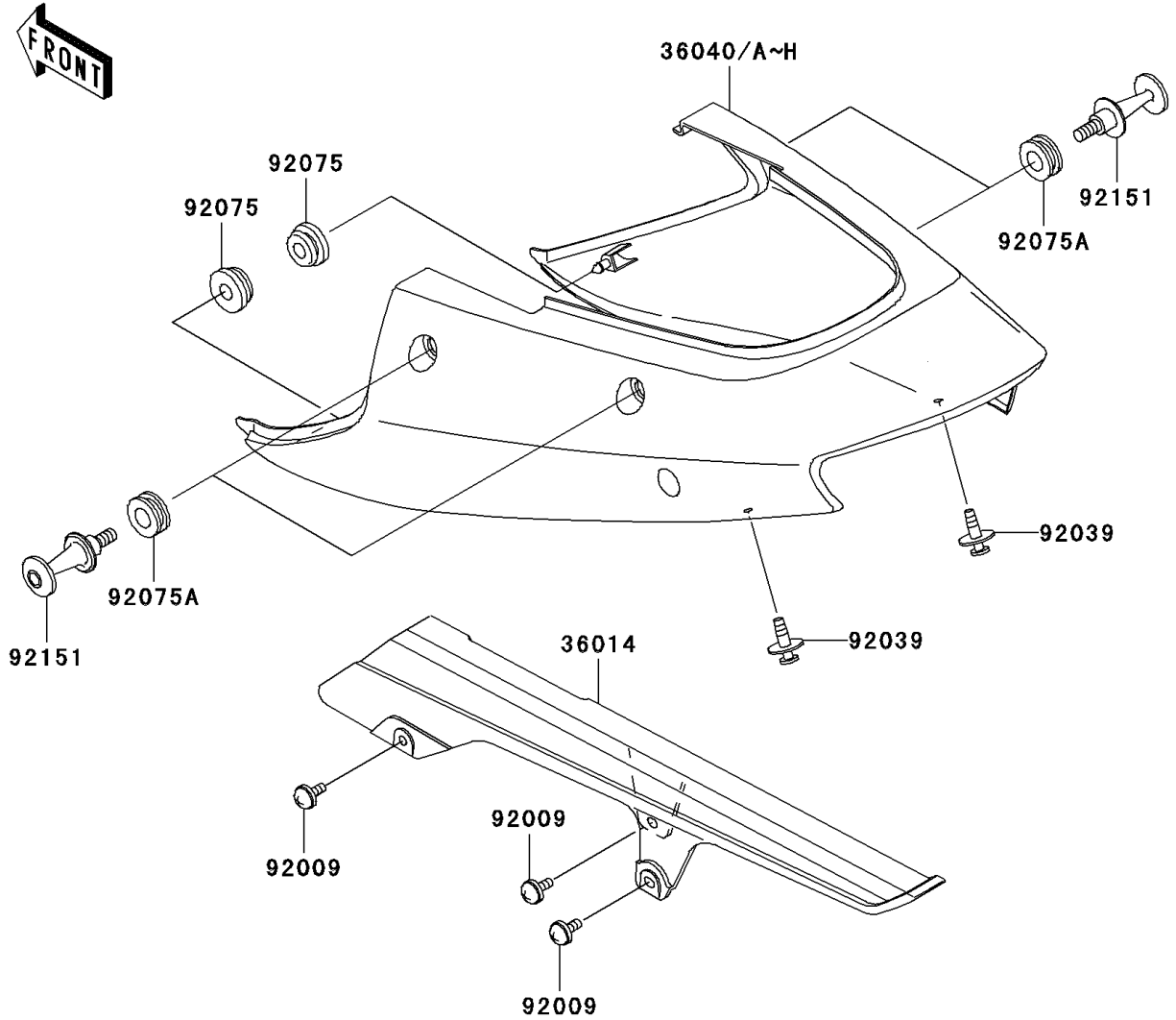


# 2003 Ninja® ZX™-12R PARTS DIAGRAM

Side Covers/Chain Cover

F2610



	(36040/A~H)	
	'02	(36040A) Black
		(36040B) Red
		(36040C) Blue
	'03	(36040) Red
		(36040D) Silver
		(36040G) Green
	'04	(36040C) Blue
		(36040E) Silver
	'05	(36040F) Black
(36040F) Black		
(36040H) Blue		

WOD

## 2003 Ninja® ZX™ -12R PARTS LIST

### Side Covers/Chain Cover

ITEM NAME	PART NUMBER	QUANTITY
CASE-CHAIN (Ref # 36014)	36014-1237	1
COVER-TAIL,C.S.RED (Ref # 36040)	36040-1053-ED	1
COVER-TAIL,L.GREEN (Ref # 36040G)	36040-1053-7F	1
SCREW,6X10 (Ref # 92009)	92009-1661	3
RIVET (Ref # 92039)	92039-1227	2
DAMPER (Ref # 92075)	92075-1011	2
DAMPER (Ref # 92075A)	92075-1634	4
BOLT (Ref # 92151)	92151-1552	4
COVER-TAIL,M.SILVER (Ref # 36040D)	36040-1053-473	1