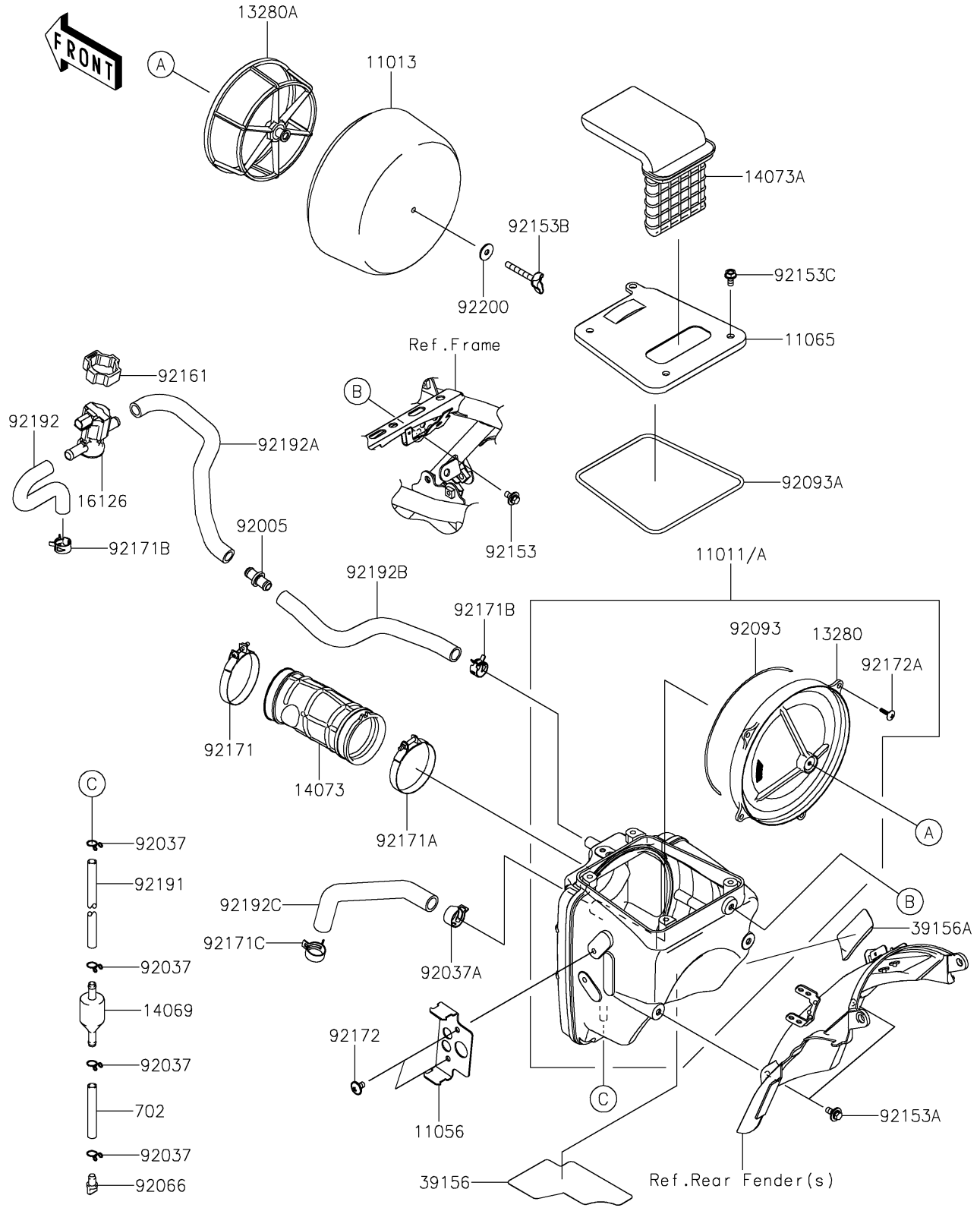


2024 KLX300 PARTS DIAGRAM

Air Cleaner

E1130



2024 KLX300 PARTS LIST

Air Cleaner

ITEM NAME	PART NUMBER	QUANTITY
CASE-AIR FILTER (Ref # 11011)	11011-0114	1
CASE-AIR FILTER (Ref # 11011A)	11011-0139	1
ELEMENT-AIR FILTER (Ref # 11013)	11013-0030	1
BRACKET,ECU (Ref # 11056)	11056-1515	1
CAP,AIR FILTER (Ref # 11065)	11065-0232	1
HOLDER (Ref # 13280)	13280-0252	1
HOLDER (Ref # 13280A)	13280-0263	1
BREATHER (Ref # 14069)	14069-1051	1
DUCT,A/C-THROBO (Ref # 14073)	14073-0158	1
DUCT,INTAKE (Ref # 14073A)	14073-0185	1
VALVE,AIR SWITCHING (Ref # 16126)	16126-0033	1
PAD,A/F CASE (Ref # 39156)	39156-2429	1
PAD,A/F CASE (Ref # 39156A)	39156-2723	1
FITTING (Ref # 92005)	92005-1379	1
CLAMP,TUBE (Ref # 92037)	92037-147	4
CLAMP (Ref # 92037A)	92037-1860	1
PLUG,DRAIN (Ref # 92066)	92066-1211	1
SEAL,3X520 (Ref # 92093)	92093-0101	1
SEAL,4X535 (Ref # 92093A)	92093-0102	1
BOLT,6X12 (Ref # 92153)	92153-0503	1
BOLT,FLANGED,6X14 (Ref # 92153A)	92153-0936	2
BOLT,WING,6X45 (Ref # 92153B)	92153-1921	1
BOLT,FLANGED,6X12 (Ref # 92153C)	92153-1922	4
DAMPER,ASWV (Ref # 92161)	92161-0499	1
CLAMP (Ref # 92171)	92171-0643	1
CLAMP,62MM (Ref # 92171A)	92171-1687	1
CLAMP (Ref # 92171B)	92171-1888	2
CLAMP (Ref # 92171C)	92171-1890	1
SCREW,6X10 (Ref # 92172)	92172-0005	2

2024 KLX300 PARTS LIST

Air Cleaner

ITEM NAME	PART NUMBER	QUANTITY
SCREW,5X14 (Ref # 92172A)	92172-0324	4
TUBE,7X10X300 (Ref # 92191)	92191-1556	1
TUBE,CAP-ASWV (Ref # 92192)	92192-0433	1
TUBE,ASWV-FITTING (Ref # 92192A)	92192-0434	1
TUBE,FITTING-A/C (Ref # 92192B)	92192-0435	1
TUBE,BREATHER (Ref # 92192C)	92192-0594	1
WASHER,6.5X20X1.6 (Ref # 92200)	92200-0411	1
TUBE-RUBBER,7X10X70 (Ref # 702)	702A0770	1