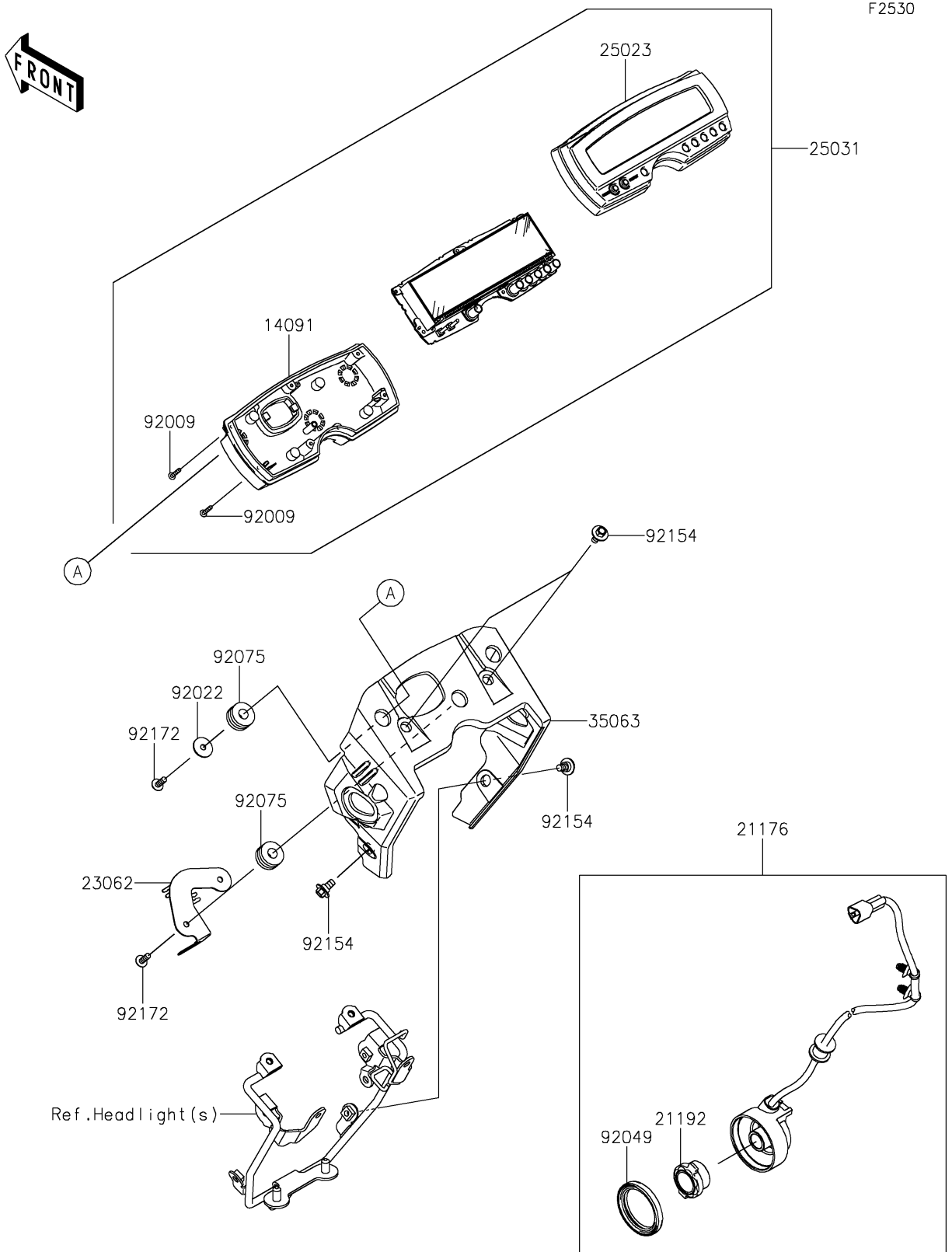


2024 KLX®300 PARTS DIAGRAM

Meter(s)



2024 KLX®300 PARTS LIST

Meter(s)

ITEM NAME	PART NUMBER	QUANTITY
COVER,METER,LWR (Ref # 14091)	14091-0874	1
SENSOR,SPEED (Ref # 21176)	21176-1198	1
MAGNET,SPEED SENSOR (Ref # 21192)	21192-0004	1
BRACKET-COMP (Ref # 23062)	23062-1439	1
COVER-METER CASE,UPP (Ref # 25023)	25023-0146	1
METER-ASSY,LCD (Ref # 25031)	25031-0942	1
STAY,METER (Ref # 35063)	35063-1594	1
SCREW,TAPPING,3X16 (Ref # 92009)	92009-1391	7
WASHER,5.5X20X1.2 (Ref # 92022)	92022-104	1
SEAL-OIL,METER GEAR CASE (Ref # 92049)	92049-1172	1
DAMPER,10X24X12 (Ref # 92075)	92075-1690	3
BOLT (Ref # 92154)	92154-7139	4
SCREW,TAPPING,5X14 (Ref # 92172)	92172-0265	3