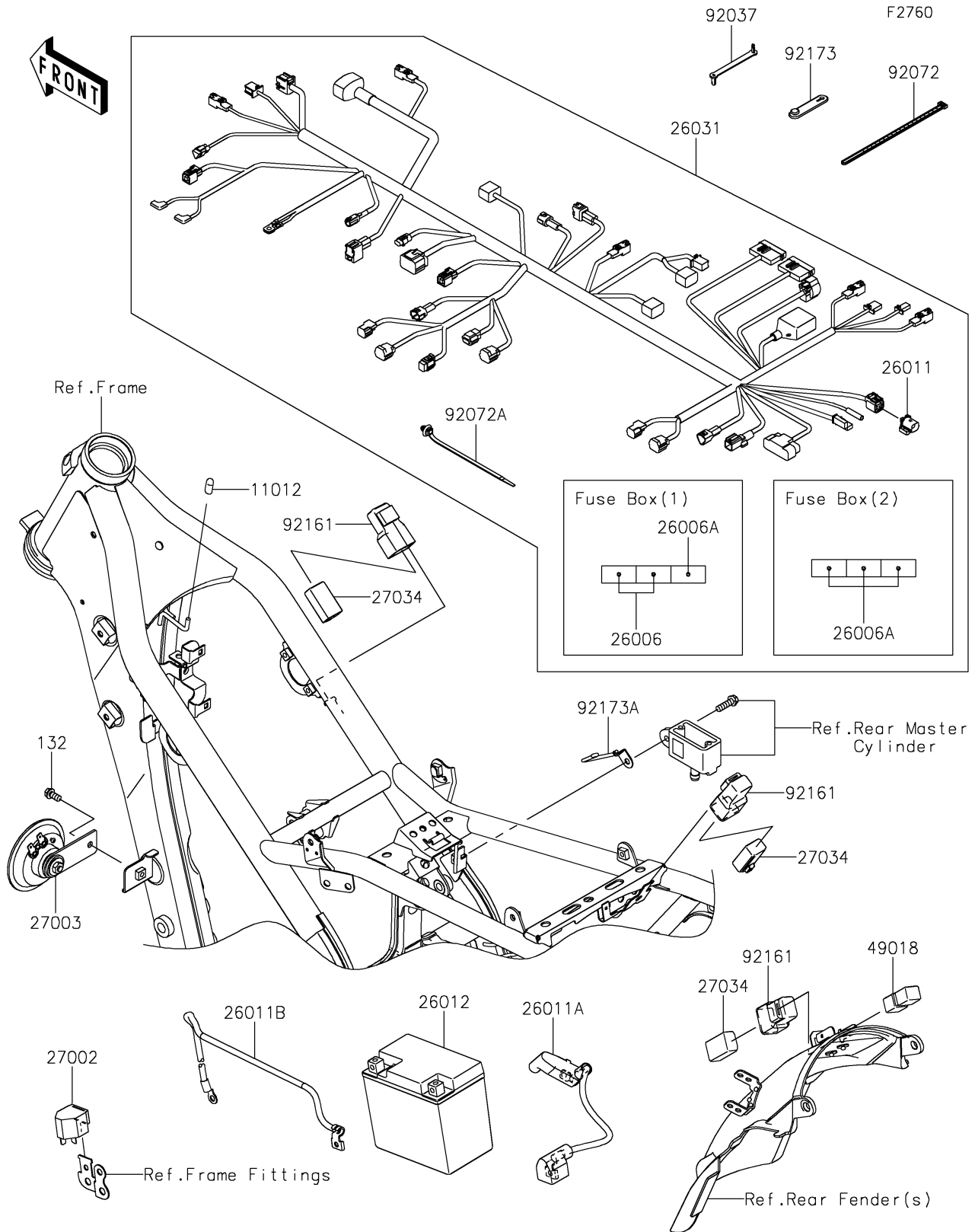


# 2024 KLX300 PARTS DIAGRAM

## Chassis Electrical Equipment



## 2024 KLX300 PARTS LIST

### Chassis Electrical Equipment

ITEM NAME	PART NUMBER	QUANTITY
CAP,BUNGEE CORD HOOK (Ref # 11012)	11012-1589	1
FUSE,MINI BLADE,15A,BLUE (Ref # 26006)	26006-0001	2
FUSE,MINI BLADE,10A,RED (Ref # 26006A)	26006-1078	4
WIRE-LEAD,DIAG CONNECTOR (Ref # 26011)	26011-1901	1
WIRE-LEAD,BATTERY(+) (Ref # 26011A)	26011-1926	1
WIRE-LEAD,BATTERY(-) (Ref # 26011B)	26011-2467	1
BATTERY,FTZ7S,12V 6AH (Ref # 26012)	26012-0907	1
HARNESS,MAIN (Ref # 26031)	26031-4043	1
RELAY-ASSY,TURN SIGNAL (Ref # 27002)	27002-0031	1
HORN (Ref # 27003)	27003-0162	1
RELAY (Ref # 27034)	27034-0012	3
DIODE (Ref # 49018)	49018-0005	1
CLAMP,SPEED,L=58 (Ref # 92037)	92037-1163	2
BAND,L=250 (Ref # 92072)	92072-0937	7
BAND,OS170-FT7(BLACK) (Ref # 92072A)	92072-1414	AR
DAMPER (Ref # 92161)	92161-2290	3
CLAMP (Ref # 92173)	92173-2198	1
CLAMP,HARNESS (Ref # 92173A)	92173-2734	1
BOLT-FLANGED-SMALL,6X12 (Ref # 132)	132BA0612	1