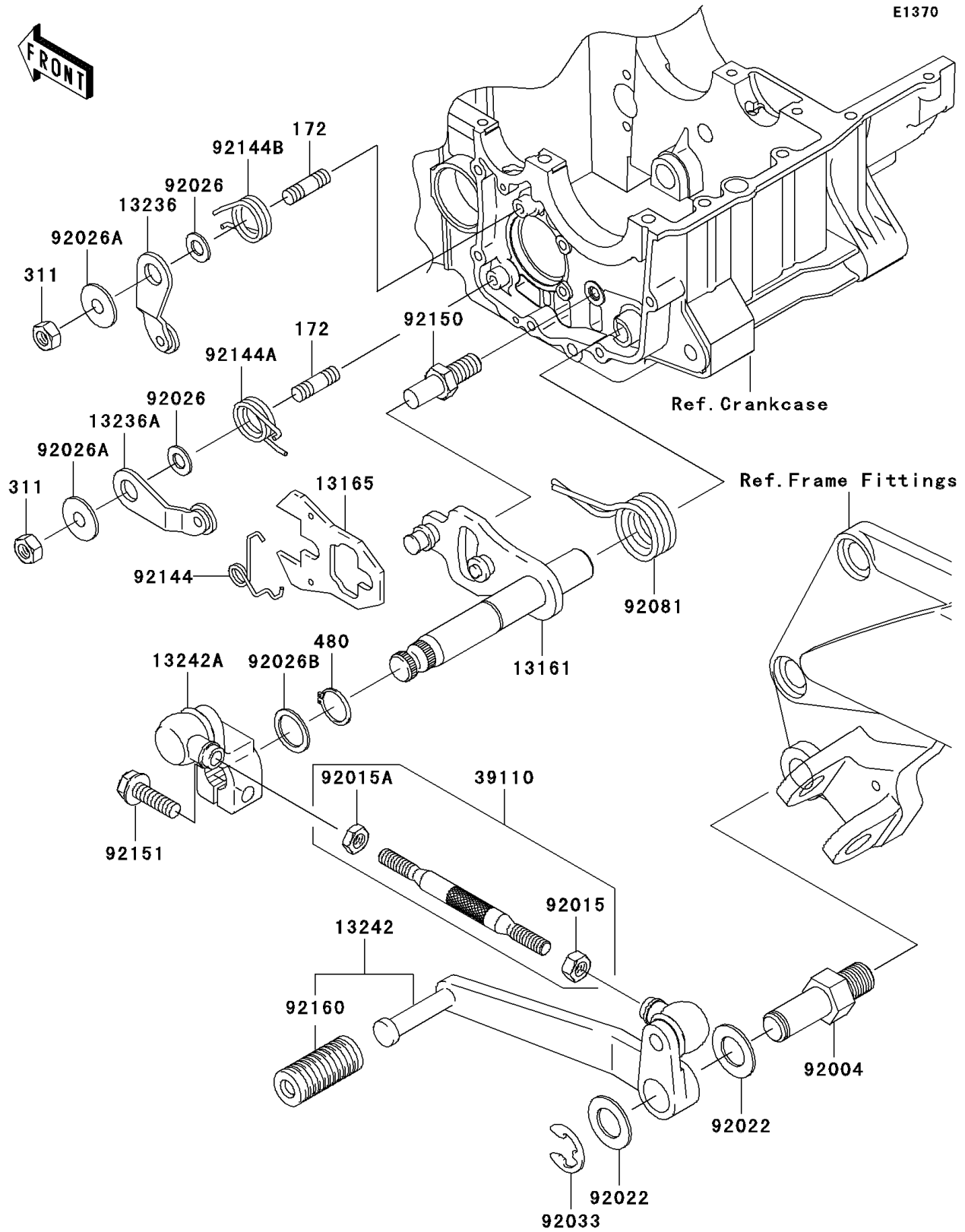


2005 ZZR1200 PARTS DIAGRAM

Gear Change Mechanism



2005 ZZR1200 PARTS LIST

Gear Change Mechanism

ITEM NAME	PART NUMBER	QUANTITY
BOLT-STUD,6X14 (Ref # 172)	172G0614	2
NUT-HEX,6MM (Ref # 311)	311G0600	2
CIRCLIP-TYPE-C,13MM (Ref # 480)	480J1300	1
LEVER-COMP-CHANGE SHAFT (Ref # 13161)	13161-1155	1
PAWL (Ref # 13165)	13165-1120	1
LEVER-COMP,GEAR POSITION (Ref # 13236)	13236-1103	1
LEVER-COMP,GEAR POSITION (Ref # 13236A)	13236-1216	1
LEVER-ASSY-CHANGE,PEDAL (Ref # 13242)	13242-1283	1
LEVER-ASSY-CHANGE,BOSS (Ref # 13242A)	13242-1392	1
ROD-ASSY-TIE (Ref # 39110)	39110-1129	1
STUD,CHANGE PEDAL,PIVOT (Ref # 92004)	92004-1164	1
NUT,6MM (Ref # 92015)	92015-1443	1
NUT,LEFT HANDED,6MM (Ref # 92015A)	92015-1444	1
WASHER,12.5X22X1.2 (Ref # 92022)	92022-1593	2
SPACER,6.3X12X1.0 (Ref # 92026)	92026-094	2
SPACER (Ref # 92026A)	92026-1217	2
SPACER,13.3X18X1.0 (Ref # 92026B)	92026-1532	1
RING-SNAP,TYPE-E,10MM (Ref # 92033)	92033-1178	1
SPRING,CHANGE PEDAL RETURN (Ref # 92081)	92081-1869	1
SPRING (Ref # 92144)	92144-1029	1
SPRING,GEAR POSITION (Ref # 92144A)	92144-1523	1
SPRING (Ref # 92144B)	92144-1856	1
BOLT,RETURN SPRING (Ref # 92150)	92150-1869	1
BOLT,6X20 (Ref # 92151)	92151-1226	1
DAMPER,CHANGE PEDAL (Ref # 92160)	92160-1036	1