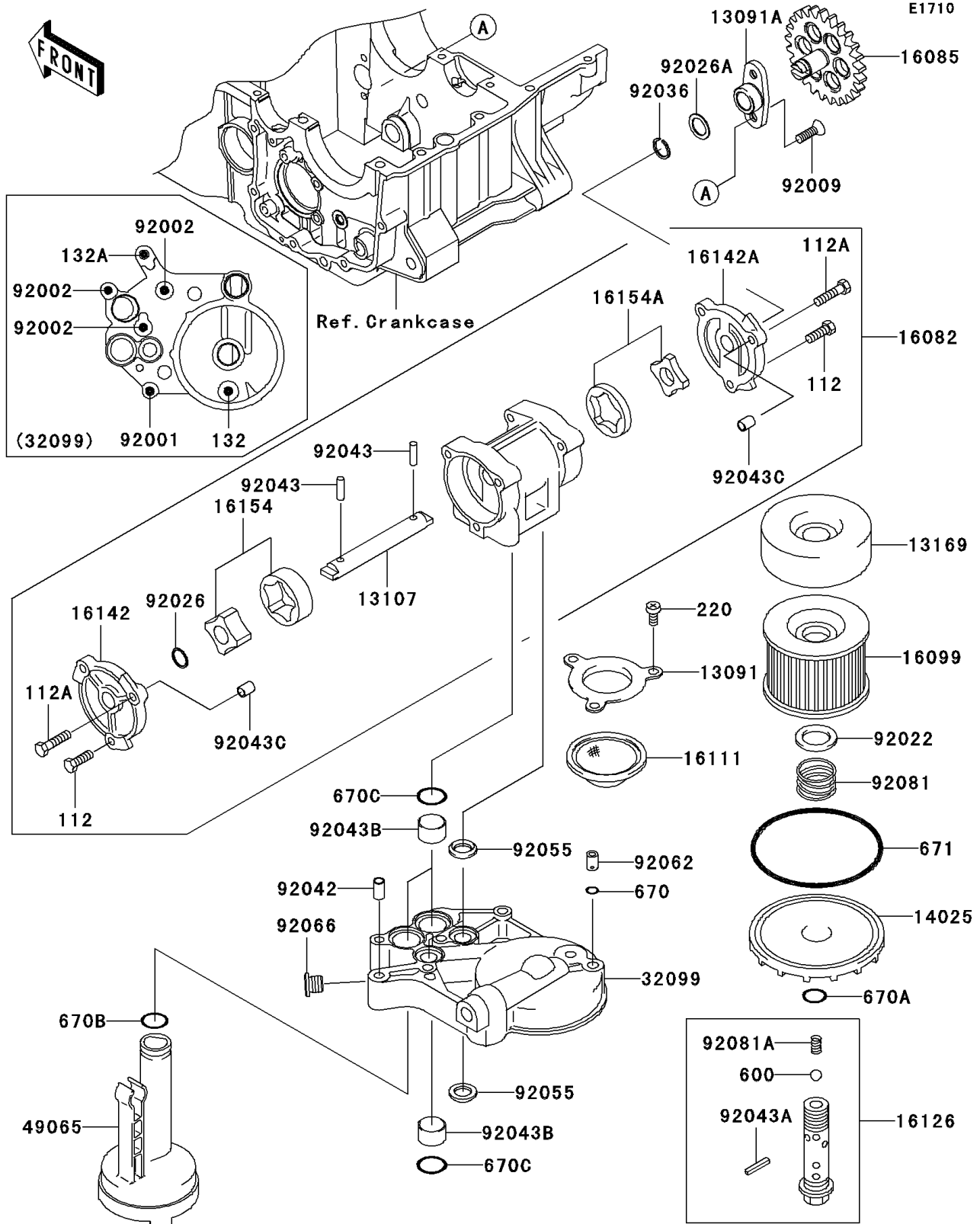


# 2005 ZZR1200 PARTS DIAGRAM

Oil Pump/Oil Filter



## 2005 ZZR1200 PARTS LIST

### Oil Pump/Oil Filter

| ITEM NAME                              | PART NUMBER | QUANTITY |
|--|-------------|----------|
| BOLT-UPSET (Ref # 112)                 | 112G0618    | 4        |
| BOLT-UPSET (Ref # 112A)                | 112G0625    | 2        |
| BOLT-FLANGED-SMALL (Ref # 132)         | 132G0616    | 1        |
| BOLT-FLANGED-SMALL (Ref # 132A)        | 132G0645    | 1        |
| SCREW-PAN-CROS,6X12 (Ref # 220)        | 220B0612    | 3        |
| BALL-STEEL,3/8" (Ref # 600)            | 600A1200    | 1        |
| O RING,8MM (Ref # 670)                 | 670B1508    | 1        |
| HOLDER,OIL FILTER (Ref # 13091)        | 13091-1274  | 1        |
| HOLDER,PUMP GEAR (Ref # 13091A)        | 13091-1333  | 1        |
| SHAFT (Ref # 13107)                    | 13107-1338  | 1        |
| PLATE,OIL FILTER (Ref # 13169)         | 13169-1313  | 1        |
| COVER,OIL FILTER,F.BLACK (Ref # 14025) | 14025-1422  | 1        |
| PUMP-ASSY-OIL,978 (Ref # 16082)        | 16082-1164  | 1        |
| GEAR (Ref # 16085)                     | 16085-1283  | 1        |
| ELEMENT-OIL FILTER (Ref # 16099)       | 16099-003   | 1        |
| FILTER,OIL (Ref # 16111)               | 16111-003   | 1        |
| VALVE,OIL FILTER (Ref # 16126)         | 16126-1108  | 1        |
| COVER-PUMP,LH (Ref # 16142)            | 16142-1088  | 1        |
| COVER-PUMP,RH (Ref # 16142A)           | 16142-1089  | 1        |
| ROTOR-PUMP (Ref # 16154)               | 16154-1078  | 1        |
| ROTOR-PUMP,SCAVENGE (Ref # 16154A)     | 16154-1137  | 1        |
| CASE,OIL FILTER (Ref # 32099)          | 32099-1083  | 1        |
| FILTER-OIL (Ref # 49065)               | 49065-1091  | 1        |
| BOLT,FLANGED,6X38 (Ref # 92001)        | 92001-1105  | 1        |
| BOLT,6X38 (Ref # 92002)                | 92002-1431  | 3        |
| SCREW,6X16 (Ref # 92009)               | 92009-1360  | 2        |
| WASHER,20.5X30X1 (Ref # 92022)         | 92022-1012  | 1        |
| SPACER,OIL PUMP (Ref # 92026)          | 92026-1230  | 1        |
| SPACER,14X20X1.0 (Ref # 92026A)        | 92026-1534  | 1        |

## 2005 ZZR1200 PARTS LIST

### Oil Pump/Oil Filter

| ITEM NAME                         | PART NUMBER | QUANTITY |
|-----------------------------------|-------------|----------|
| RING-SNAP,PUMP GEAR (Ref # 92036) | 92036-1052  | 1        |
| PIN,DOWEL,6.3X8X14 (Ref # 92042)  | 92042-007   | 1        |
| PIN,DOWEL,5X17.8 (Ref # 92043)    | 92043-1061  | 2        |
| PIN,SPRING,2X20 (Ref # 92043A)    | 92043-111   | 1        |
| PIN,18X20X12 (Ref # 92043B)       | 92043-1213  | 3        |
| PIN,DOWEL,8X10 (Ref # 92043C)     | 92043-1302  | 2        |
| RING-O,19.5MM (Ref # 92055)       | 92055-077   | 3        |
| NOZZLE (Ref # 92062)              | 92062-1055  | 1        |
| PLUG (Ref # 92066)                | 92066-1577  | 1        |
| SPRING,OIL FILTER (Ref # 92081)   | 92081-1018  | 1        |
| SPRING (Ref # 92081A)             | 92081-109   | 1        |
| O RING,16MM (Ref # 670A)          | 670B2016    | 1        |
| O RING,18MM (Ref # 670B)          | 670B2018    | 1        |
| O RING,20MM (Ref # 670C)          | 670D2020    | 3        |
| O RING,90MM (Ref # 671)           | 671B2590    | 1        |