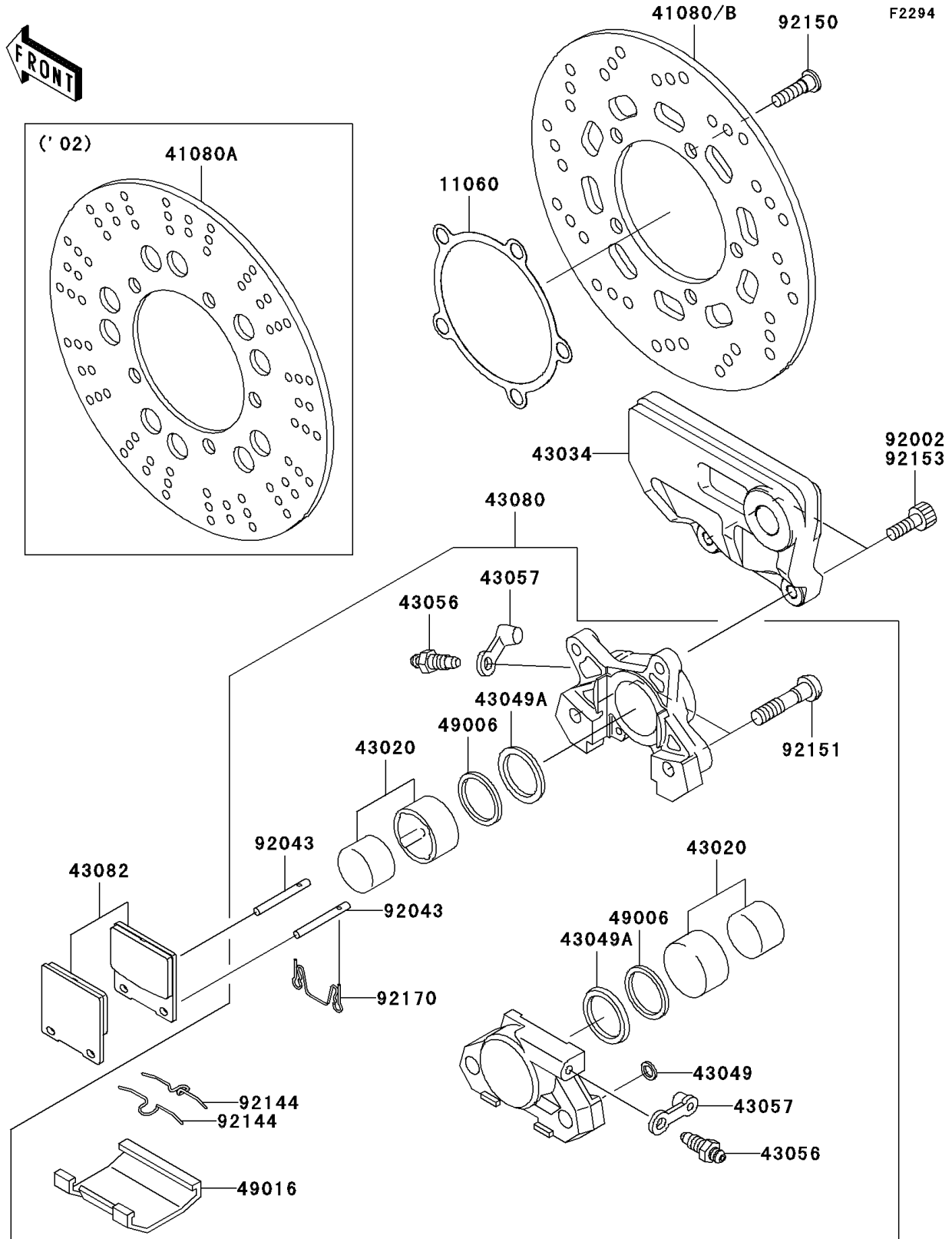


# 2005 ZZR1200 PARTS DIAGRAM

Rear Brake



## 2005 ZZR1200 PARTS LIST

### Rear Brake

ITEM NAME	PART NUMBER	QUANTITY
GASKET,REAR DISC (Ref # 11060)	11060-1675	1
DISC,RR,C.GRAY (Ref # 41080)	41080-0036-FB	1
PISTON-COMP-BRAKE (Ref # 43020)	43020-1111	2
HOLDER-BRAKE,REAR CALIPER (Ref # 43034)	43034-1174	1
PACKING,SEAL,6.5X11.5X2.2 (Ref # 43049)	43049-1004	1
PACKING,PISTON SEAL (Ref # 43049A)	43049-1097	2
BREATHER-BRAKE (Ref # 43056)	43056-1054	2
CAP-BREATHER (Ref # 43057)	43057-003	2
CALIPER-SUB-ASSY,RR,BLACK (Ref # 43080)	43080-5002-DJ	1
PAD-ASSY-BRAKE (Ref # 43082)	43082-1291	1
BOOT,PISTON SEAL (Ref # 49006)	49006-1212	2
COVER-SEAL (Ref # 49016)	49016-1145	1
PIN (Ref # 92043)	92043-1522	2
SPRING,PAD (Ref # 92144)	92144-1401	2
BOLT,SOCKET,8X30 (Ref # 92150)	92150-1771	5
BOLT,SOCKET,10X45 (Ref # 92151)	92151-1106	2
BOLT,SOCKET,8X25 (Ref # 92153)	92153-0512	2
CLAMP (Ref # 92170)	92170-1635	1