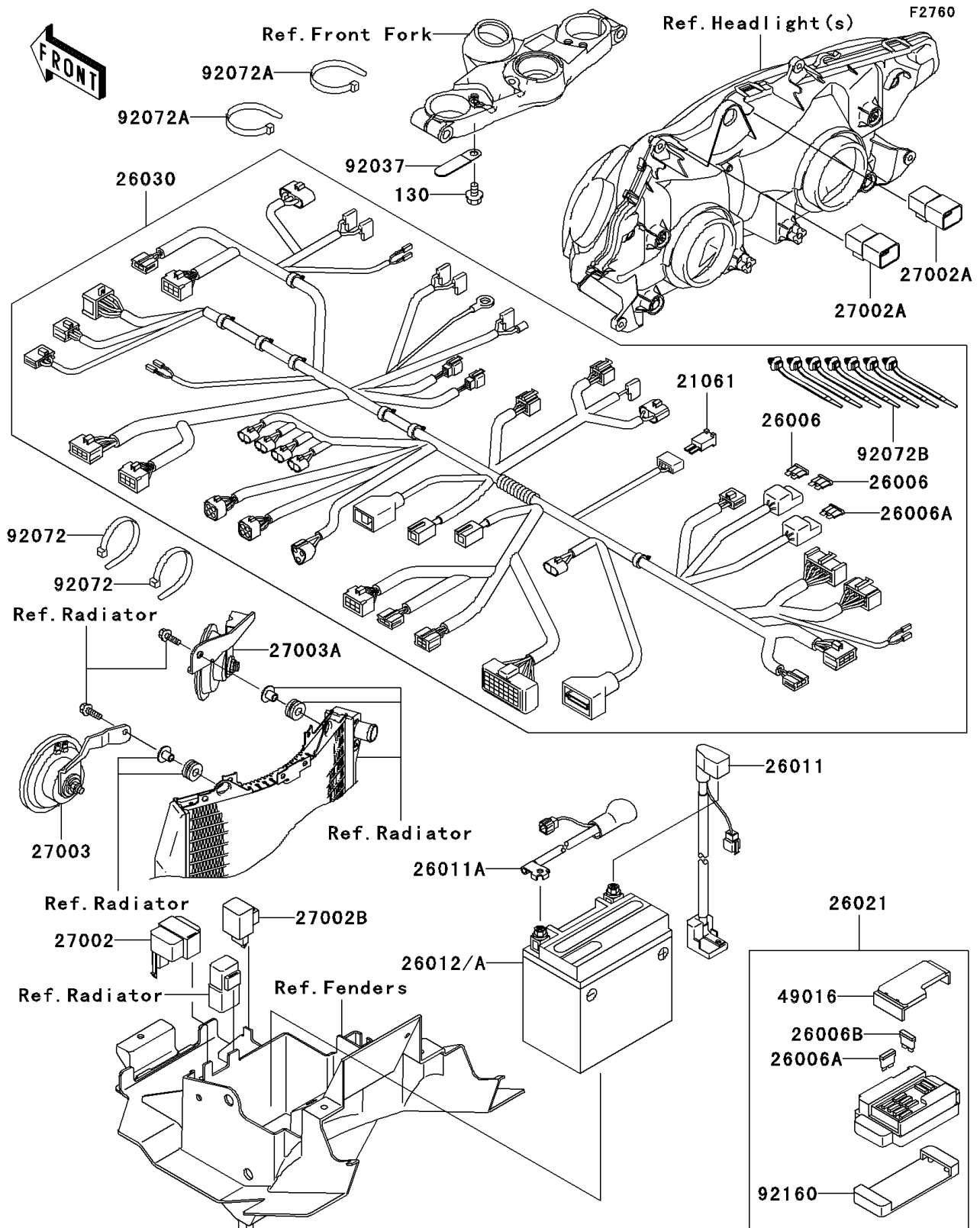


2003 ZZR1200 PARTS DIAGRAM

Chassis Electrical Equipment



2003 ZZR1200 PARTS LIST

Chassis Electrical Equipment

ITEM NAME	PART NUMBER	QUANTITY
BOLT-FLANGED (Ref # 130)	130J0610	1
RECTIFIER (Ref # 21061)	21061-1059	1
FUSE,30A-G (Ref # 26006)	26006-1067	2
FUSE,10A-R (Ref # 26006A)	26006-1068	7
FUSE,15A (Ref # 26006B)	26006-1075	3
WIRE-LEAD,BATTERY(+) (Ref # 26011)	26011-1822	1
WIRE-LEAD,BATTERY(-) (Ref # 26011A)	26011-1823	1
BATTERY,FTZ14-BS,12V 14AH (Ref # 26012A)	26012-1409	1
JUNCTION BOX (Ref # 26021)	26021-1108	1
HARNESS,MAIN (Ref # 26030)	26030-1946	1
RELAY-ASSY (Ref # 27002)	27002-1065	1
RELAY-ASSY (Ref # 27002A)	27002-1086	2
RELAY-ASSY,TURN SIGNAL (Ref # 27002B)	27002-1101	1
HORN,LH (Ref # 27003)	27003-1320	1
HORN,RH (Ref # 27003A)	27003-1363	1
COVER-SEAL,FUSE (Ref # 49016)	49016-1177	1
CLAMP,L=45 (Ref # 92037)	92037-1539	1
BAND,L=202 (Ref # 92072)	92072-1195	2
BAND,L=250 (Ref # 92072A)	92072-1237	2
BAND (Ref # 92072B)	92072-1414	7
DAMPER,JUNCTION BOX (Ref # 92160)	92160-1650	1