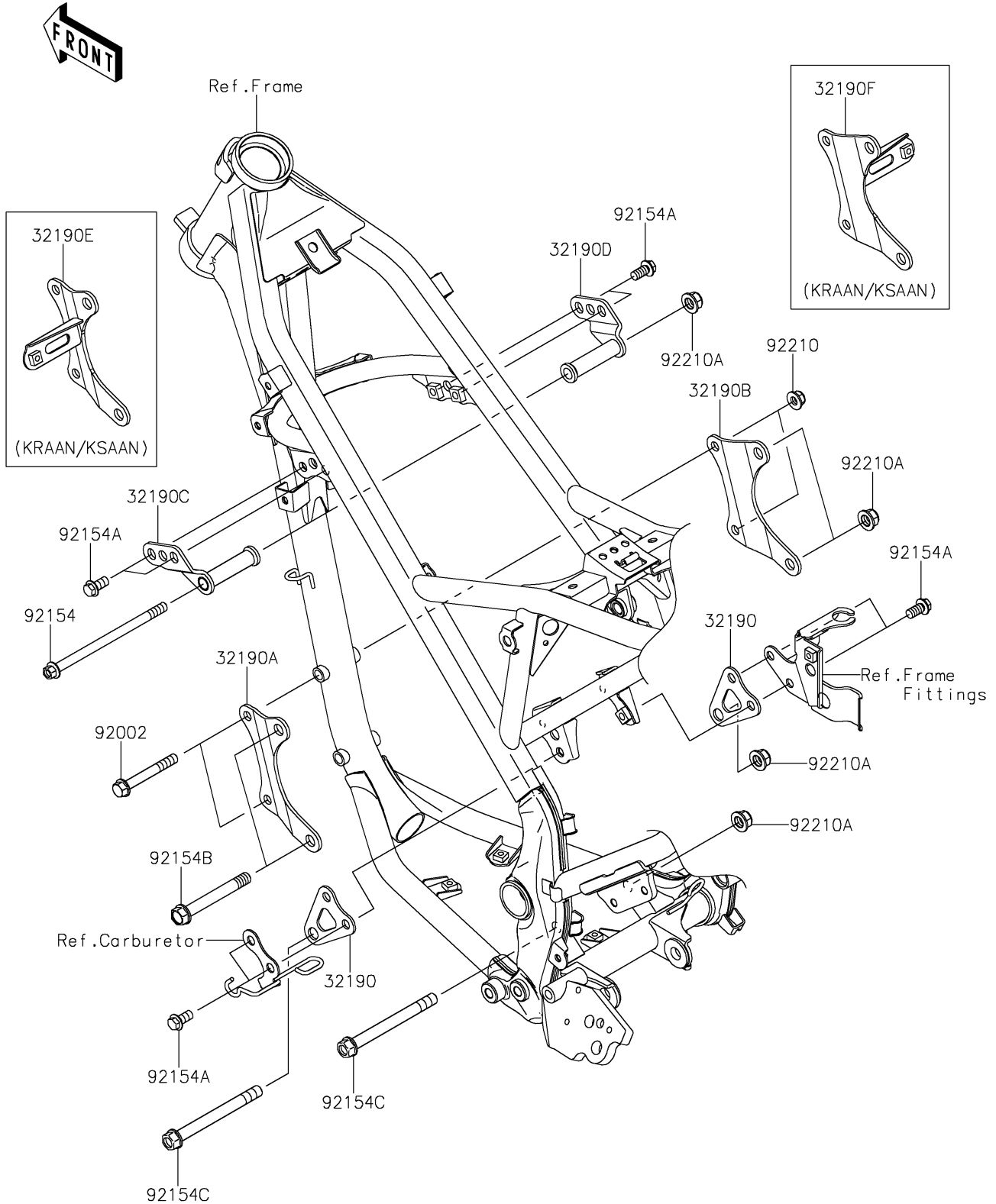


# 2024 KLX150L (Indonesia Only) PARTS DIAGRAM

Engine Mount

F2122



## 2024 KLX150L (Indonesia Only) PARTS LIST

### Engine Mount

ITEM NAME	PART NUMBER	QUANTITY
BRACKET-ENGINE,RR (Ref # 32190)	32190-0310	2
BRACKET-ENGINE,FR,LH (Ref # 32190A)	32190-0429	1
BRACKET-ENGINE,FR,RH (Ref # 32190B)	32190-0430	1
BRACKET-ENGINE,HEAD,LH (Ref # 32190C)	32190-0437	1
BRACKET-ENGINE,HEAD,RH (Ref # 32190D)	32190-0439	1
BRACKET-ENGINE,FR,LH (Ref # 32190E)	32190-0684	1
BRACKET-ENGINE,FR,RH (Ref # 32190F)	32190-0685	1
BOLT,FLANGED,8X65 (Ref # 92002)	92002-1349	2
BOLT,FLANGED,10X170 (Ref # 92154)	92154-0088	1
BOLT,FLANGED,8X16 (Ref # 92154A)	92154-0462	8
BOLT,FLANGED,10X80 (Ref # 92154B)	92154-3759	2
BOLT,FLANGED,10X105 (Ref # 92154C)	92154-4187	2
NUT,LOCK,FLANGED,8MM (Ref # 92210)	92210-0140	2
NUT,LOCK,FLANGED,10MM (Ref # 92210A)	92210-1080	5