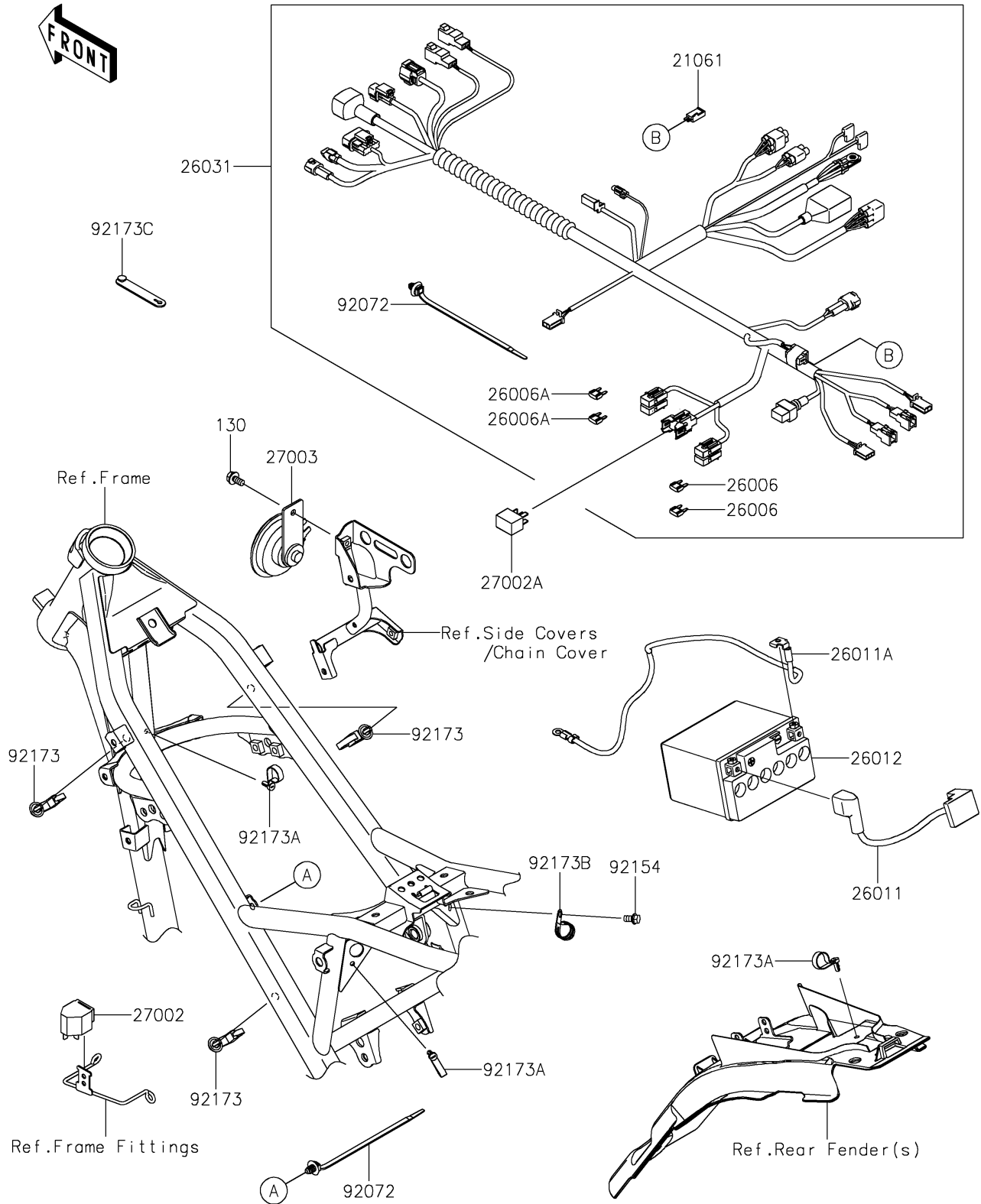


2025 KLX150L (Indonesia Only) PARTS DIAGRAM

Chassis Electrical Equipment

F2760



2025 KLX150L (Indonesia Only) PARTS LIST

Chassis Electrical Equipment

ITEM NAME	PART NUMBER	QUANTITY
RECTIFIER (Ref # 21061)	21061-0001	1
FUSE,MINI BLADE,15A,BLUE (Ref # 26006)	26006-0001	2
FUSE,5A (Ref # 26006A)	26006-0048	2
WIRE-LEAD,BATTERY(+) (Ref # 26011)	26011-1991	1
WIRE-LEAD,BATTERY(-) (Ref # 26011A)	26011-1992	1
BATTERY,YTX5L-BS,12V 4AH (Ref # 26012)	26012-0905	1
HARNESS,MAIN (Ref # 26031)	26031-4071	1
RELAY-ASSY,TURN SIGNAL (Ref # 27002)	27002-0031	1
RELAY-ASSY (Ref # 27002A)	27002-0033	1
HORN (Ref # 27003)	27003-0124	1
BAND,OS170-FT7(BLACK) (Ref # 92072)	92072-1414	AR
BOLT,FLANGED,6X10 (Ref # 92154)	92154-0459	1
CLAMP (Ref # 92173)	92173-0105	3
CLAMP,SPEED,L=58 (Ref # 92173A)	92173-1077	3
CLAMP (Ref # 92173B)	92173-1424	1
CLAMP (Ref # 92173C)	92173-2199	2
BOLT-FLANGED,6X12 (Ref # 130)	130BA0612	1