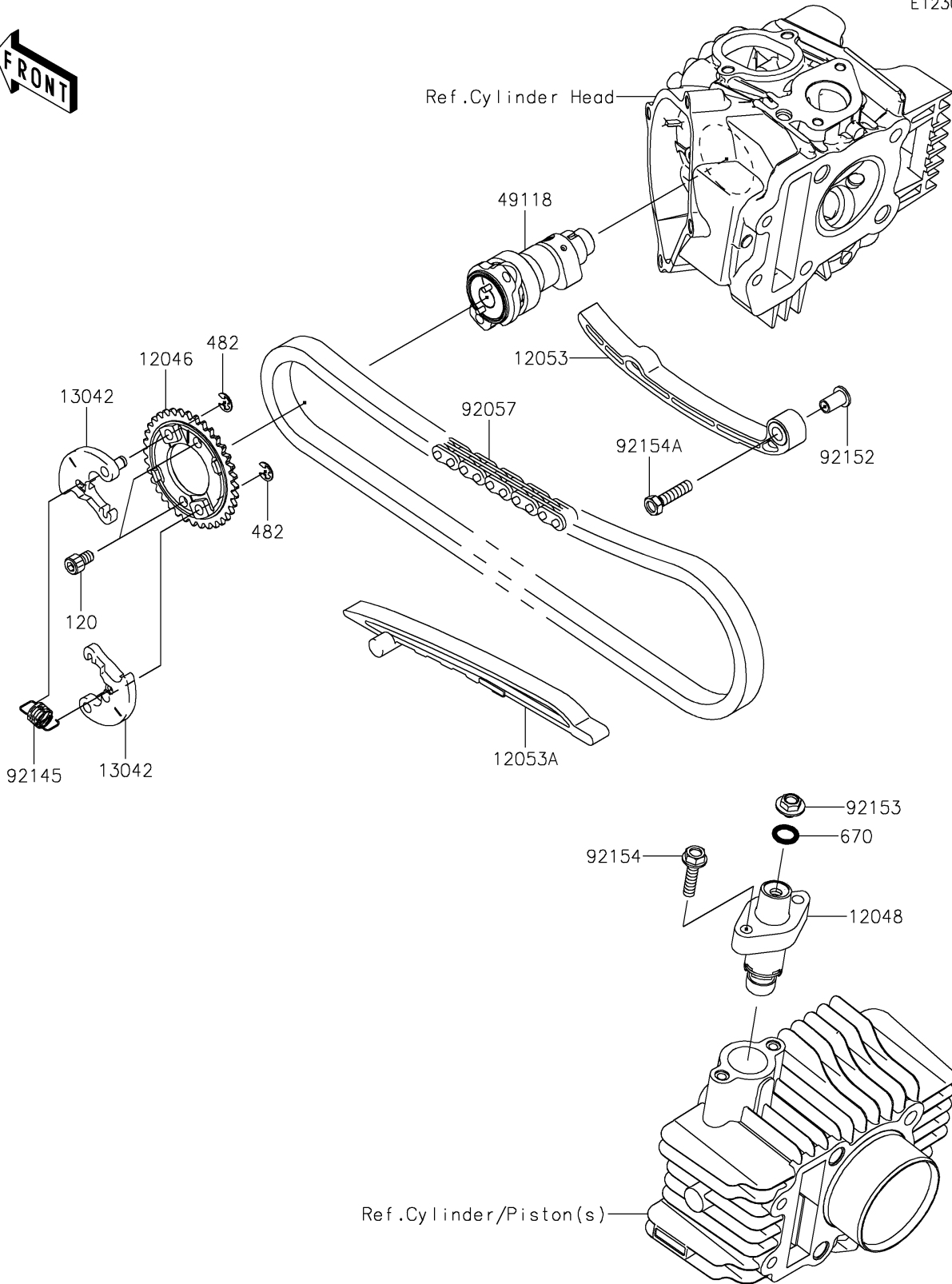


2025 Z125 PRO PARTS DIAGRAM

Camshaft(s)/Tensioner

E1230



2025 Z125 PRO PARTS LIST

Camshaft(s)/Tensioner

| ITEM NAME | PART NUMBER | QUANTITY |
|----------------------------------|-------------|----------|
| SPROCKET,36T (Ref # 12046) | 12046-0596 | 1 |
| TENSIONER-ASSY (Ref # 12048) | 12048-0097 | 1 |
| GUIDE-CHAIN (Ref # 12053) | 12053-0185 | 1 |
| GUIDE-CHAIN (Ref # 12053A) | 12053-1461 | 1 |
| WEIGHT,DECOMP (Ref # 13042) | 13042-1141 | 2 |
| CAMSHAFT-COMP (Ref # 49118) | 49118-0863 | 1 |
| CHAIN,CAM,94L (Ref # 92057) | 92057-0610 | 1 |
| SPRING (Ref # 92145) | 92145-0132 | 1 |
| COLLAR,CHAIN GUIDE (Ref # 92152) | 92152-1369 | 1 |
| BOLT,FLANGED,6X6 (Ref # 92153) | 92153-1763 | 1 |
| BOLT,FLANGED,6X25 (Ref # 92154) | 92154-1196 | 2 |
| BOLT,6X25 (Ref # 92154A) | 92154-2191 | 1 |
| BOLT-SOCKET,6X10 (Ref # 120) | 120CA0610 | 2 |
| CIRCLIP-TYPE-E,5MM (Ref # 482) | 482J5000 | 2 |
| O RING,10MM (Ref # 670) | 670D2010 | 1 |