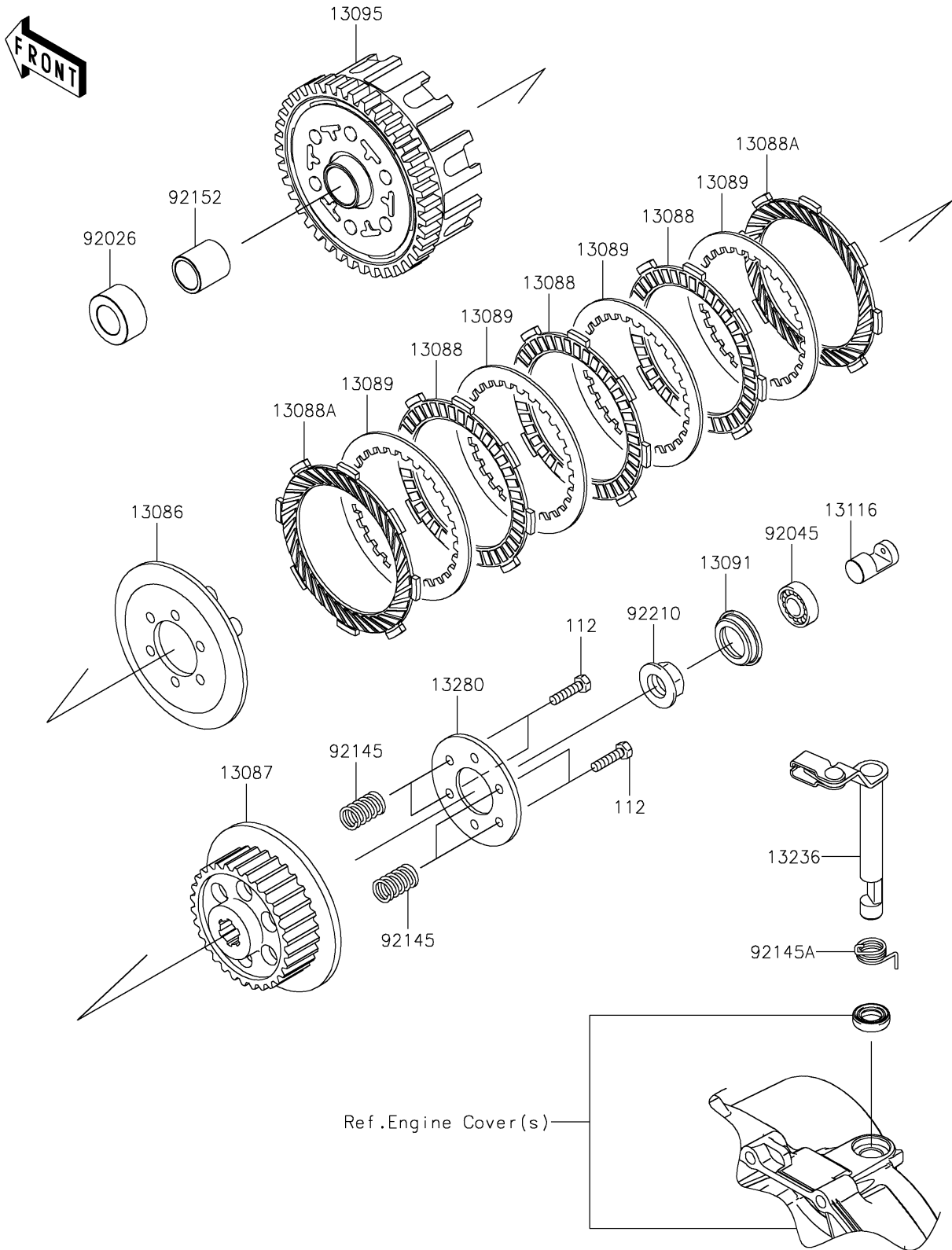


2025 Z125 PRO PARTS DIAGRAM

Clutch

E1350



2025 Z125 PRO PARTS LIST

Clutch

ITEM NAME	PART NUMBER	QUANTITY
WHEEL-CLUTCH (Ref # 13086)	13086-1065	1
HUB-CLUTCH (Ref # 13087)	13087-1151	1
PLATE-FRICTION (Ref # 13088)	13088-0048	3
PLATE-FRICTION (Ref # 13088A)	13088-1142	2
PLATE-CLUTCH (Ref # 13089)	13089-1087	4
HOLDER (Ref # 13091)	13091-1787	1
HOUSING-COMP-CLUTCH (Ref # 13095)	13095-1403	1
ROD-PUSH (Ref # 13116)	13116-0731	1
LEVER-COMP,CLUTCH,RELEASE (Ref # 13236)	13236-0787	1
HOLDER,CLUTCH (Ref # 13280)	13280-0370	1
SPACER (Ref # 92026)	92026-1605	1
BEARING-BALL,#628 (Ref # 92045)	92045-1123	1
SPRING,CLUTCH HUB (Ref # 92145)	92145-1456	6
SPRING (Ref # 92145A)	92145-1582	1
COLLAR,12X22X22.7 (Ref # 92152)	92152-0929	1
NUT,14MM (Ref # 92210)	92210-1374	1
BOLT-UPSET,5X20 (Ref # 112)	112BA0520	6