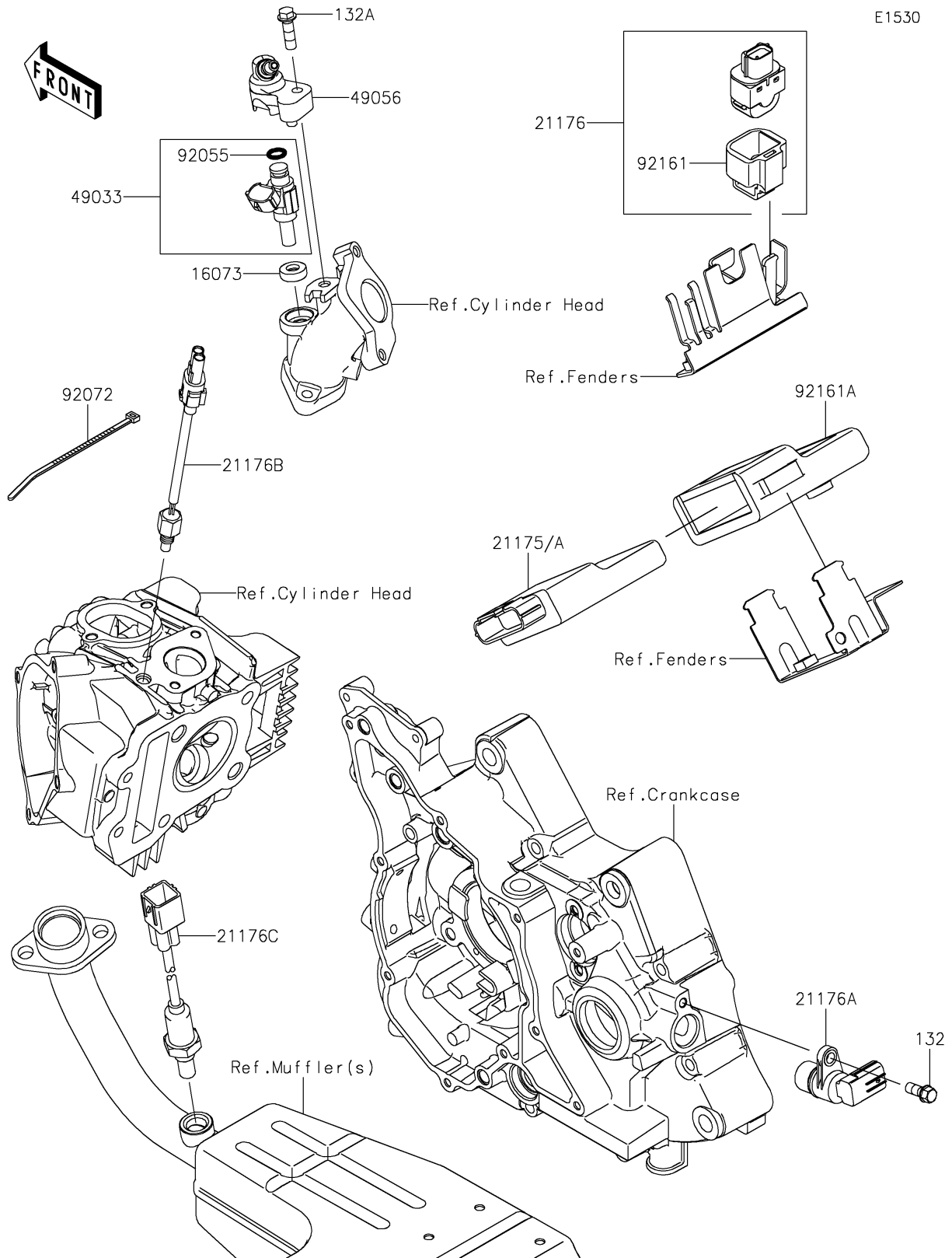


2025 Z125 PRO PARTS DIAGRAM

Fuel Injection



2025 Z125 PRO PARTS LIST

Fuel Injection

| ITEM NAME | PART NUMBER | QUANTITY |
|----------------------------------------|-------------|----------|
| INSULATOR (Ref # 16073) | 16073-0129 | 1 |
| CONTROL UNIT-ELECTRONIC (Ref # 21175) | 21175-1524 | 1 |
| CONTROL UNIT-ELECTRONIC (Ref # 21175A) | 21175-1525 | 1 |
| SENSOR,VEHICLE-DOWN (Ref # 21176) | 21176-0704 | 1 |
| SENSOR,SPEED (Ref # 21176A) | 21176-0806 | 1 |
| SENSOR,ENGINE TEMP (Ref # 21176B) | 21176-0817 | 1 |
| SENSOR,OXYGEN (Ref # 21176C) | 21176-0931 | 1 |
| NOZZLE-INJECTION (Ref # 49033) | 49033-0038 | 1 |
| PIPE-INJECTION (Ref # 49056) | 49056-0043 | 1 |
| RING-O,INJECTION NOZZLE (Ref # 92055) | 92055-0124 | 1 |
| BAND (Ref # 92072) | 92072-0054 | 1 |
| DAMPER (Ref # 92161) | 92161-0951 | 1 |
| DAMPER,ECU (Ref # 92161A) | 92161-1788 | 1 |
| BOLT-FLANGED-SMALL,6X16 (Ref # 132) | 132BA0616 | 1 |
| BOLT-FLANGED-SMALL,6X20 (Ref # 132A) | 132BA0620 | 1 |