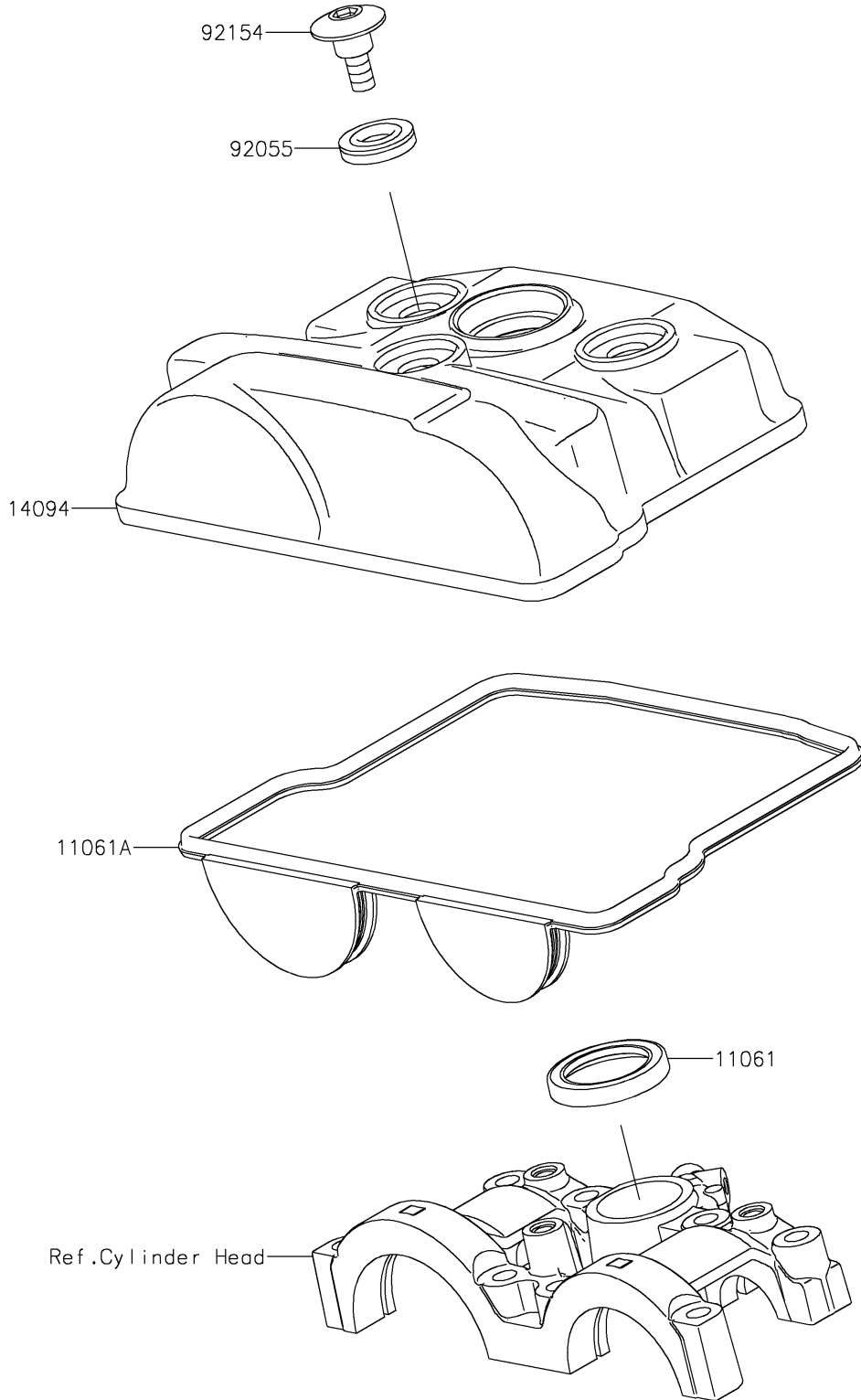


# 2025 KX™ 250 PARTS DIAGRAM

## Cylinder Head Cover

E1112



## 2025 KX™ 250 PARTS LIST

### Cylinder Head Cover

ITEM NAME	PART NUMBER	QUANTITY
GASKET,PLUG HOLE (Ref # 11061)	11061-1197	1
GASKET,HEAD COVER (Ref # 11061A)	11061-1619	1
COVER,HEAD (Ref # 14094)	14094-0248	1
RING-O,HEAD COVER BOLT (Ref # 92055)	92055-1352	3
BOLT,SOCKET,6MM (Ref # 92154)	92154-2094	3