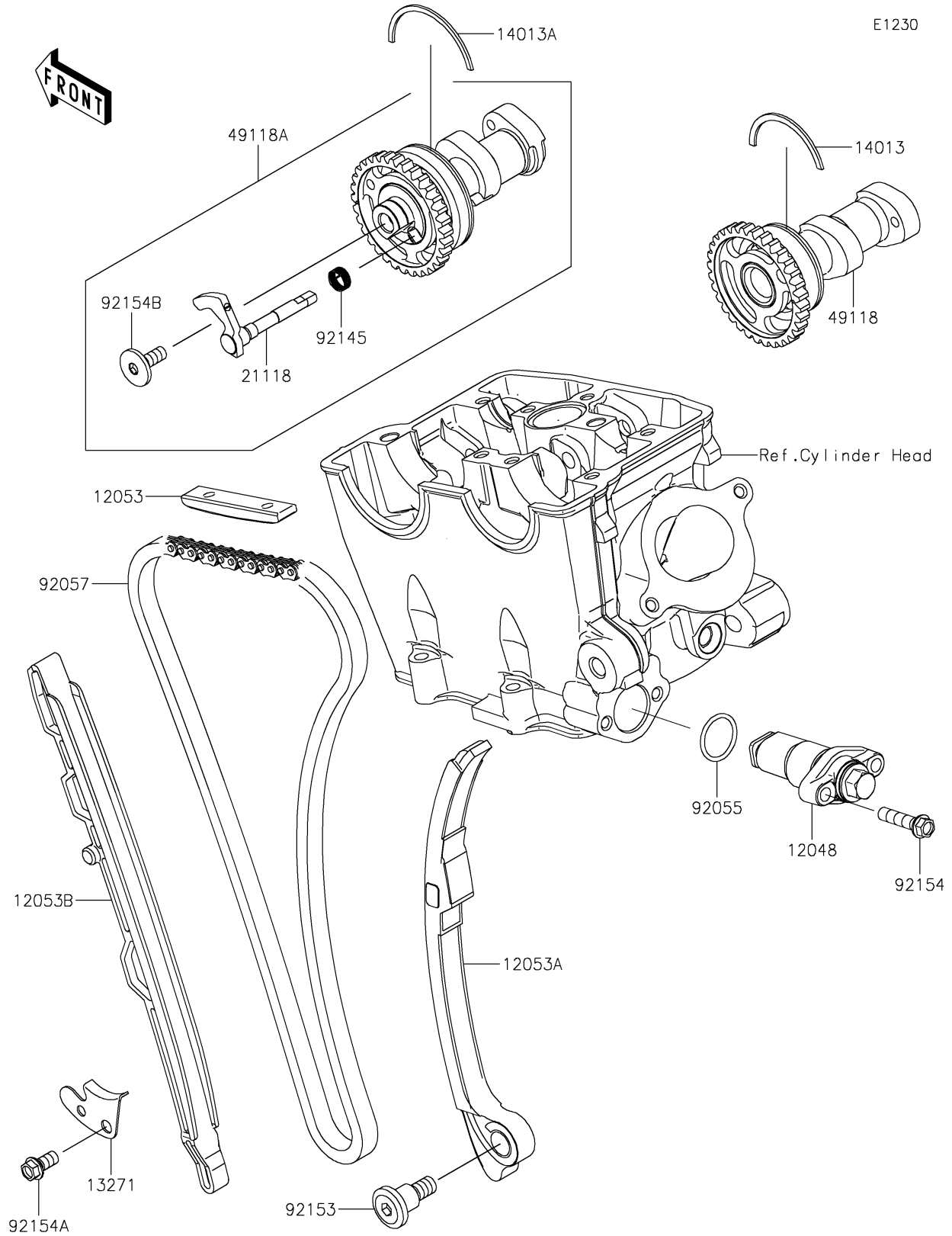


# 2025 KX™ 250 PARTS DIAGRAM

Camshaft(s)/Tensioner



## 2025 KX™ 250 PARTS LIST

### Camshaft(s)/Tensioner

ITEM NAME	PART NUMBER	QUANTITY
TENSIONER-ASSY (Ref # 12048)	12048-0056	1
GUIDE-CHAIN,UPP (Ref # 12053)	12053-0051	1
GUIDE-CHAIN,RR (Ref # 12053A)	12053-0355	1
GUIDE-CHAIN,FR (Ref # 12053B)	12053-0356	1
PLATE,CAM CHAIN STOPPER (Ref # 13271)	13271-0808	1
RING-POSITION (Ref # 14013)	14013-0001	1
RING-POSITION (Ref # 14013A)	14013-0002	1
DECOMPRESSOR (Ref # 21118)	21118-0032	1
CAMSHAFT-COMP,INTAKE (Ref # 49118)	49118-1313	1
CAMSHAFT-COMP,EXHAUST (Ref # 49118A)	49118-1314	1
RING-O,18.8X1.9 (Ref # 92055)	92055-086	1
CHAIN,CAM,98XRH2015-120N2 (Ref # 92057)	92057-0944	1
SPRING,DECOMP (Ref # 92145)	92145-2228	1
BOLT,12X24.5 (Ref # 92153)	92153-0572	1
BOLT,FLANGED,6X25 (Ref # 92154)	92154-2967	2
BOLT,FLANGED,6X12 (Ref # 92154A)	92154-2975	1
BOLT,SOCKET,6X16 (Ref # 92154B)	92154-4028	1