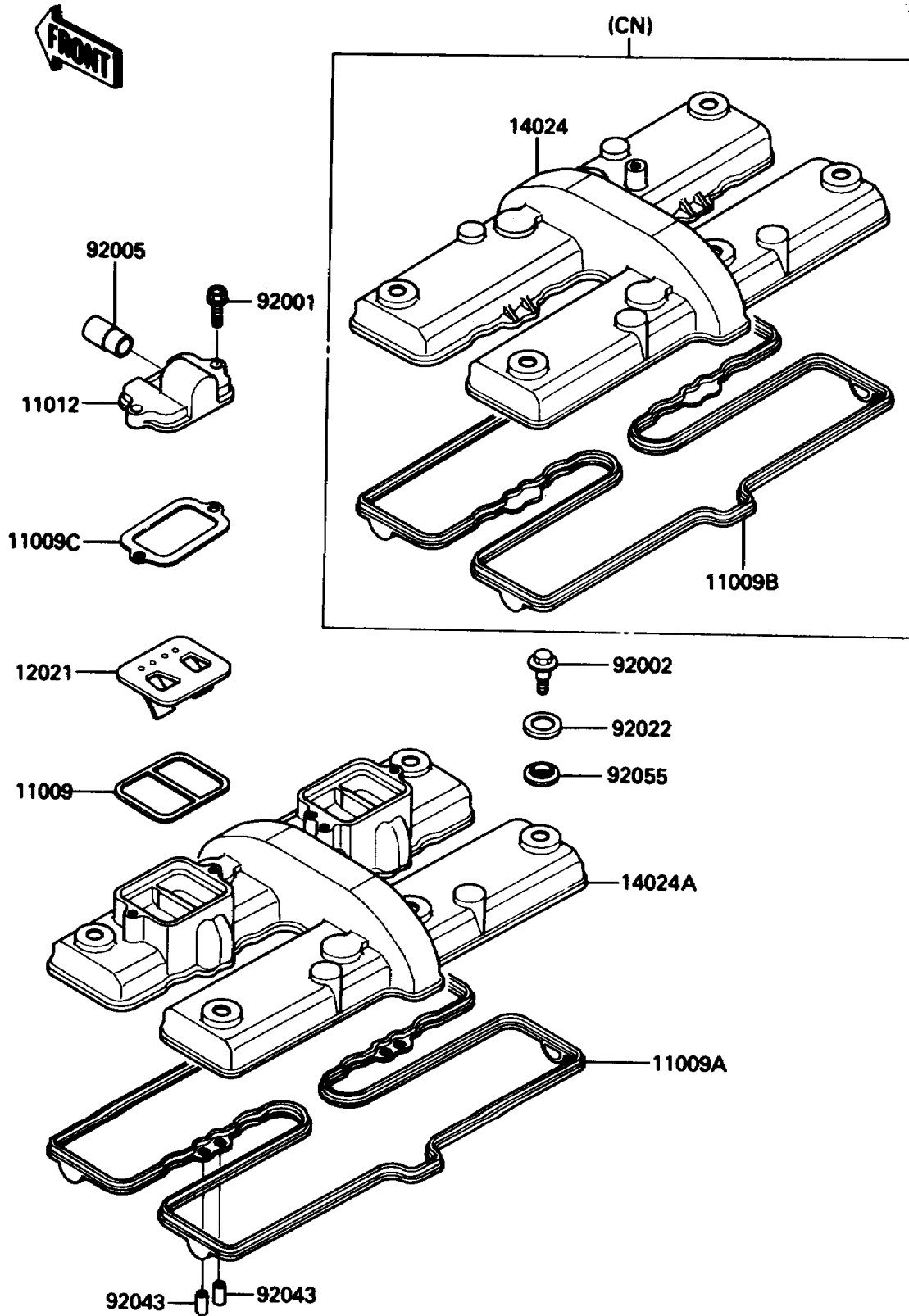


1988 NINJA® 600R PARTS DIAGRAM

Cylinder Head Cover

E1112-0080



1988 NINJA® 600R PARTS LIST

Cylinder Head Cover

ITEM NAME	PART NUMBER	QUANTITY
GASKET, REED VALVE (Ref # 11009)	11009-1379	2
GASKET, CYLINDER HEAD COVER (Ref # 11009A)	11009-1497	1
GASKET, CYLINDER HEAD COVER (Ref # 11009B)	11009-1498	1
GASKET (Ref # 11009C)	11009-1545	2
CAP, REED VALVE (Ref # 11012)	11012-1481	2
VALVE-ASSY-REED (Ref # 12021)	12021-1053	2
COVER, CYLINDER HEAD (Ref # 14024)	14024-1142	1
COVER, CYLINDER HEAD (Ref # 14024A)	14024-1144	1
BOLT, FLANGED, 6X22 (Ref # 92001)	92001-1352	4
BOLT, HEAD COVER (Ref # 92002)	92002-1504	6
FITTING, REED VALVE (Ref # 92005)	92005-1006	2
WASHER, HEAD COVER BOLT (Ref # 92022)	92022-1637	6
PIN, 6.2X8X14 (Ref # 92043)	92043-1263	4
RING-O, HEAD COVER BOLT (Ref # 92055)	92055-1225	6