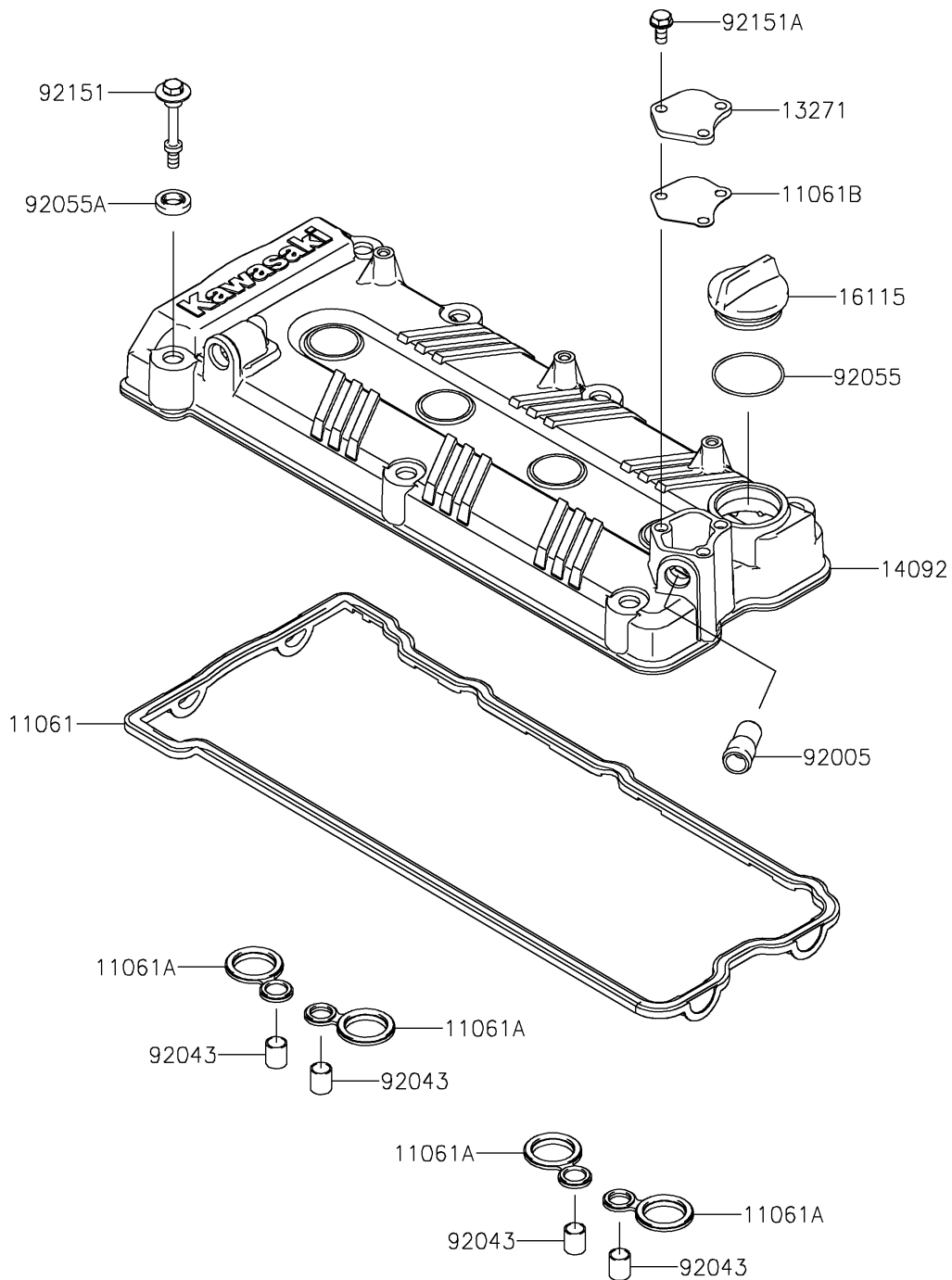


# 2025 Ultra 310LX PARTS DIAGRAM

Cylinder Head Cover

E1112



## 2025 Ultra 310LX PARTS LIST

### Cylinder Head Cover

ITEM NAME	PART NUMBER	QUANTITY
GASKET,HEAD COVER (Ref # 11061)	11061-0090	1
GASKET,SPARK PLUG HOLE (Ref # 11061A)	11061-0105	4
GASKET,PLATE (Ref # 11061B)	11061-0814	1
PLATE (Ref # 13271)	13271-3898	1
COVER,HEAD (Ref # 14092)	14092-0836	1
CAP-OIL FILLER (Ref # 16115)	16115-1064	1
FITTING (Ref # 92005)	92005-3741	1
PIN,10.1X12X14 (Ref # 92043)	92043-4009	4
RING-O,38X1.9 (Ref # 92055)	92055-1295	1
RING-O,HEAD COVER BOLT (Ref # 92055A)	92055-1352	7
BOLT,HEAD COVER (Ref # 92151)	92151-1221	7
BOLT,6X14 (Ref # 92151A)	92151-3788	3