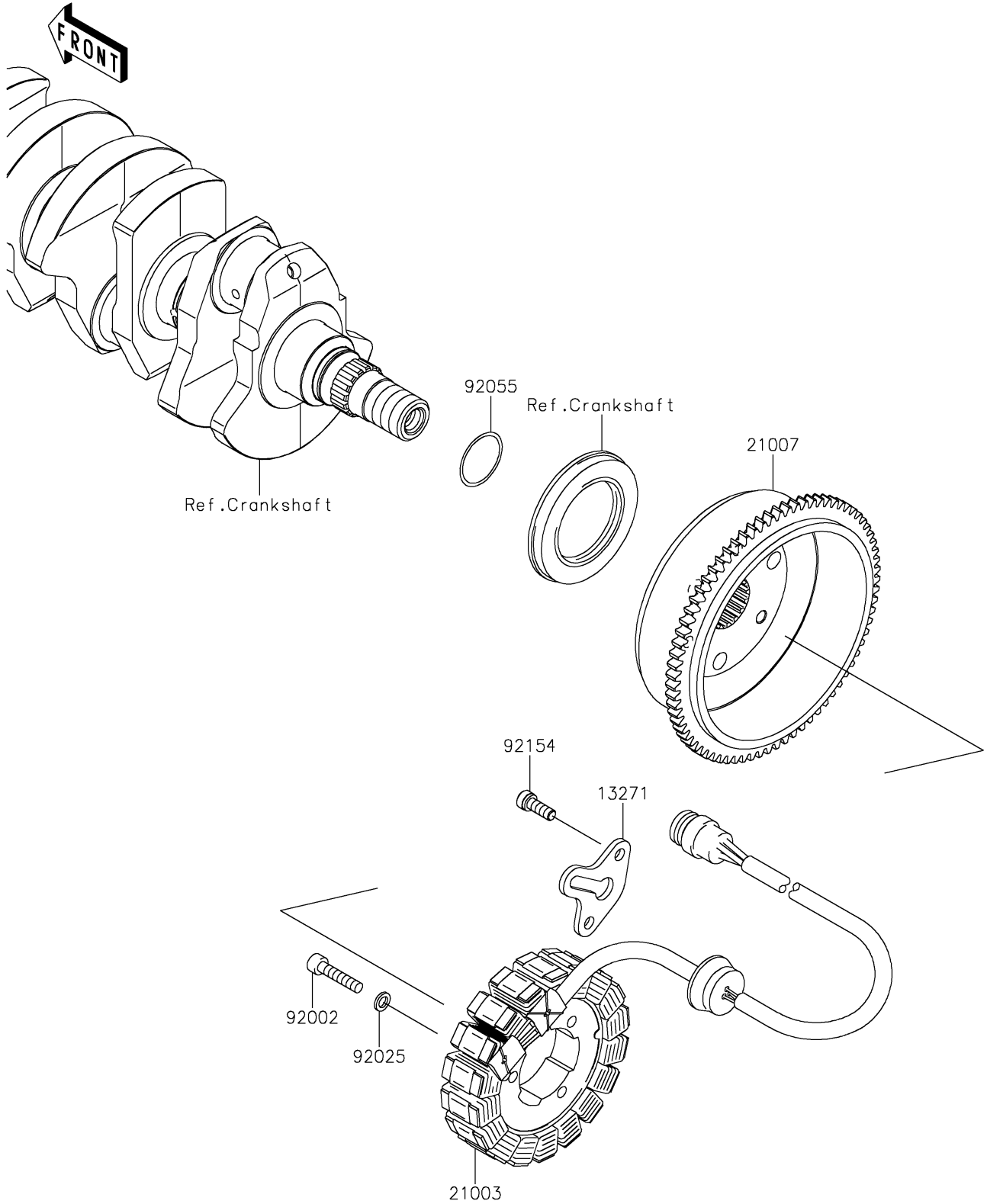


2025 Ultra 310LX PARTS DIAGRAM

Generator

E1810



2025 Ultra 310LX PARTS LIST

Generator

| ITEM NAME | PART NUMBER | QUANTITY |
|--------------------------------|-------------|----------|
| PLATE (Ref # 13271) | 13271-3847 | 1 |
| STATOR (Ref # 21003) | 21003-3747 | 1 |
| ROTOR (Ref # 21007) | 21007-3748 | 1 |
| BOLT,6X28 (Ref # 92002) | 92002-1537 | 3 |
| SHIM,T=1.4 (Ref # 92025) | 92025-1502 | 3 |
| RING-O,27.7X2.4 (Ref # 92055) | 92055-1619 | 1 |
| BOLT,SOCKET,6X16 (Ref # 92154) | 92154-3714 | 2 |