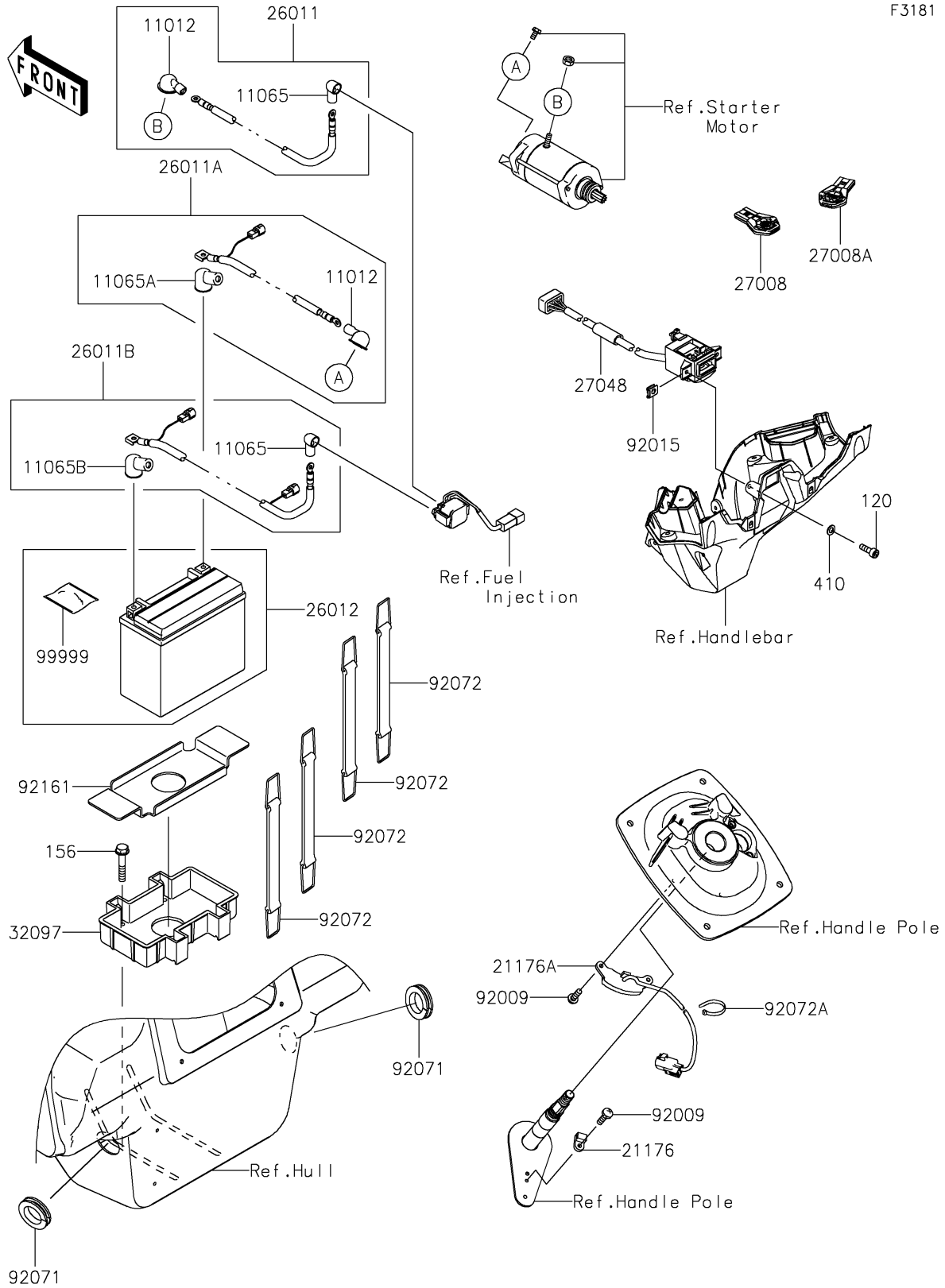


2025 Ultra 310LX PARTS DIAGRAM

Electrical Equipment

F3181



2025 Ultra 310LX PARTS LIST

Electrical Equipment

| ITEM NAME | PART NUMBER | QUANTITY |
|---|-------------|----------|
| CAP (Ref # 11012) | 11012-3004 | 2 |
| CAP (Ref # 11065) | 11065-3716 | 2 |
| CAP,TERMINAL (Ref # 11065A) | 11065-3729 | 1 |
| CAP,TERMINAL (Ref # 11065B) | 11065-3732 | 1 |
| SENSOR,MAGNET (Ref # 21176) | 21176-3746 | 1 |
| SENSOR,HOLE IC (Ref # 21176A) | 21176-3748 | 1 |
| WIRE-LEAD,RELAY-STARTER (Ref # 26011) | 26011-0723 | 1 |
| WIRE-LEAD,BATTERY(-) (Ref # 26011A) | 26011-0835 | 1 |
| WIRE-LEAD,RELAY-BATTERY(+) (Ref # 26011B) | 26011-1997 | 1 |
| BATTERY,YTX20L-BS,12V 18AH (Ref # 26012) | 26012-0787 | 1 |
| FPO MODE KEY (Ref # 27008) | 27008-0684 | 1 |
| SLO MODE KEY (Ref # 27008A) | 27008-0685 | 1 |
| SWITCH-ASSY (Ref # 27048) | 27048-0056 | 1 |
| CASE-BATTERY (Ref # 32097) | 32097-3709 | 1 |
| SCREW,5X16 (Ref # 92009) | 92009-3868 | 3 |
| NUT,CLIP,5MM (Ref # 92015) | 92015-3830 | 2 |
| GROMMET,31.5X50X11 (Ref # 92071) | 92071-0737 | 2 |
| BAND,340X22 (Ref # 92072) | 92072-3805 | 4 |
| BAND,L=100.08 (Ref # 92072A) | 92072-3882 | 1 |
| DAMPER,BATTERY CASE (Ref # 92161) | 92161-1388 | 1 |
| BOLT NUT KIT (Ref # 99999) | 99999-0311 | 1 |
| BOLT-SOCKET,5X16 (Ref # 120) | 120R0516 | 2 |
| BOLT-WP,6X35 (Ref # 156) | 156R0635 | 4 |
| W-PLAIN-S,5MM (Ref # 410) | 410S0500 | 2 |