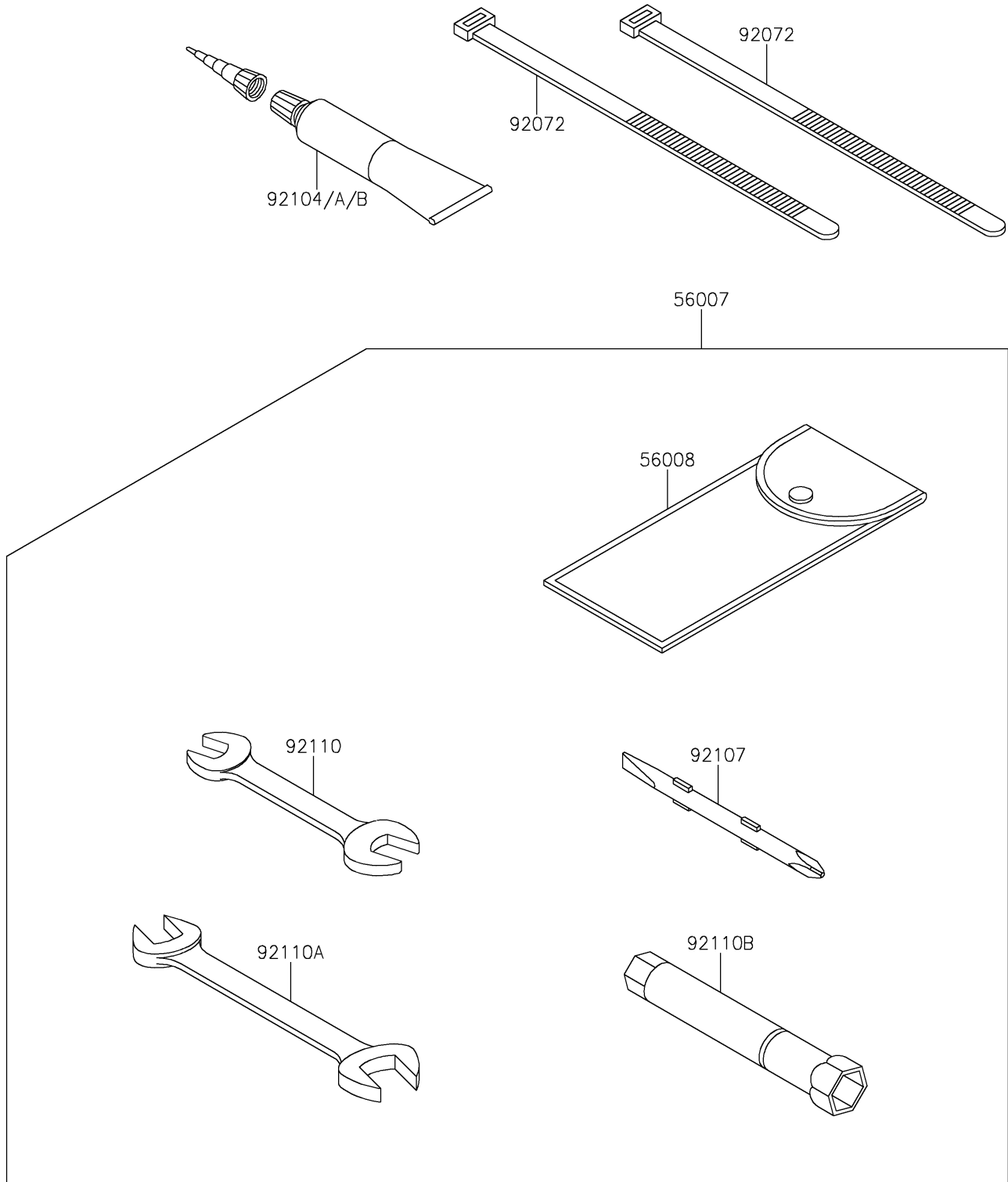


# 2025 Ultra 310LX PARTS DIAGRAM

Owner's Tools

F3182



## 2025 Ultra 310LX PARTS LIST

### Owner's Tools

ITEM NAME	PART NUMBER	QUANTITY
TOOL-KIT (Ref # 56007)	56007-0197	1
BAG,TOOL (Ref # 56008)	56008-1075	1
BAND,L=250 (Ref # 92072)	92072-1237	2
GASKET-LIQUID,TB1211F,CLEAR (Ref # 92104)	92104-0004	1
GASKET-LIQUID,TB1216B,BLACK (Ref # 92104A)	92104-1064	1
GASKET-LIQUID,TB1215,GRAY (Ref # 92104B)	92104-1065	1
TOOL-DRIVER,#2PHILLIPS&SLOT (Ref # 92107)	92107-1051	1
TOOL-WRENCH,OPEN END,10X12 (Ref # 92110)	92110-1152	1
TOOL-WRENCH,OPEN END,14X17 (Ref # 92110A)	92110-1153	1
TOOL-WRENCH,BOX,16MM (Ref # 92110B)	92110-3706	1