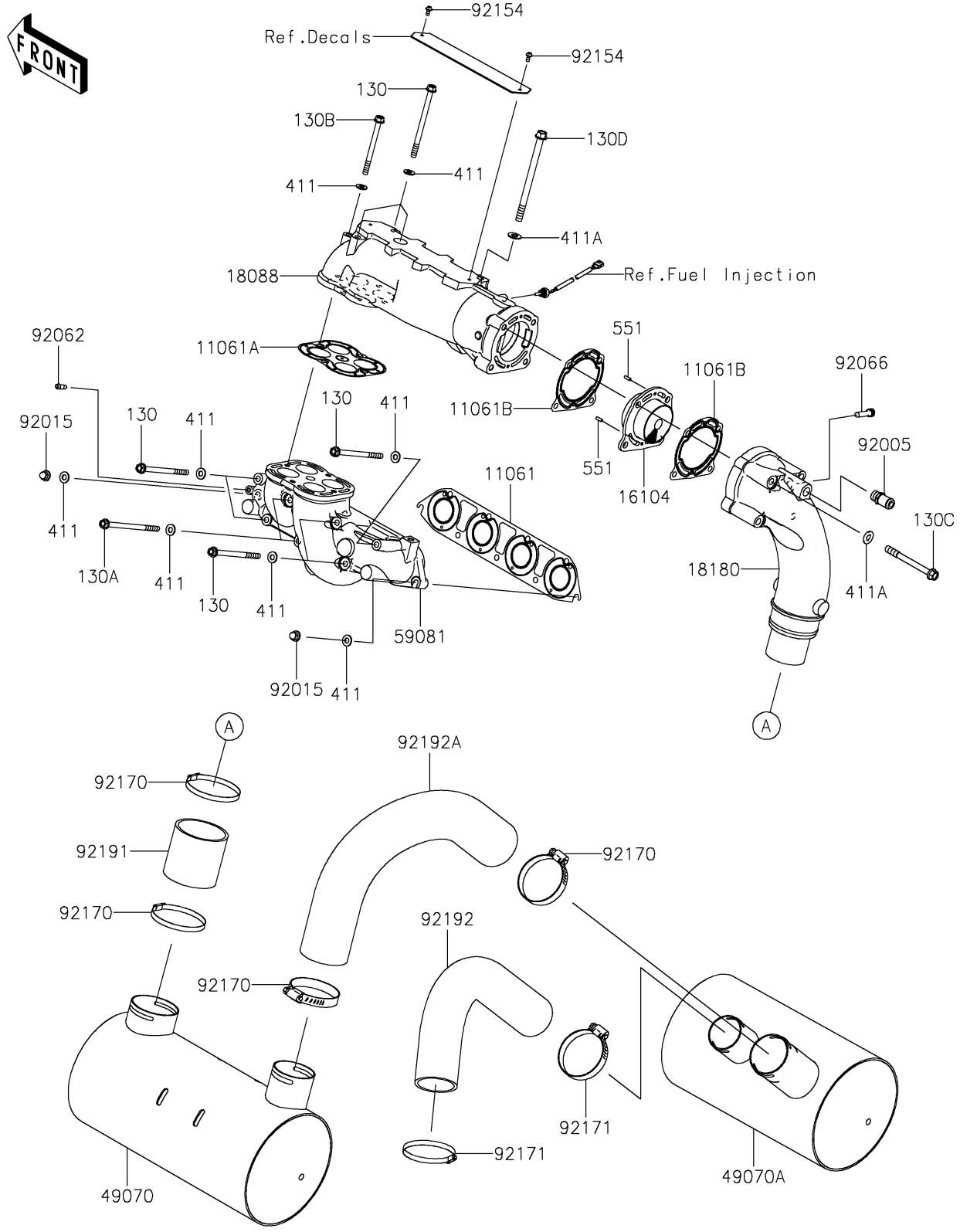


2025 JET SKI® ULTRA® 310LX-S PARTS DIAGRAM

Muffler(s)

E1140



2025 JET SKI® ULTRA® 310LX-S PARTS LIST

Muffler(s)

| ITEM NAME | PART NUMBER | QUANTITY |
|---------------------------------------|-------------|----------|
| GASKET,MANIFOLD EXHAUST (Ref # 11061) | 11061-3742 | 1 |
| GASKET,PIPE EXHAUST (Ref # 11061A) | 11061-3762 | 1 |
| GASKET,MUFFLER (Ref # 11061B) | 11061-3768 | 2 |
| FILTER-COMP,MUFFLER (Ref # 16104) | 16104-0012 | 1 |
| PIPE-EXHAUST (Ref # 18088) | 18088-3730 | 1 |
| BODY-MUFFLER (Ref # 18180) | 18180-0825 | 1 |
| MUFFLER-COMP,1ST (Ref # 49070) | 49070-0749 | 1 |
| MUFFLER-COMP,2ND (Ref # 49070A) | 49070-0750 | 1 |
| MANIFOLD-EXHAUST (Ref # 59081) | 59081-3744 | 1 |
| FITTING (Ref # 92005) | 92005-0728 | 1 |
| NUT,CAP,8MM (Ref # 92015) | 92015-1371 | 2 |
| NOZZLE (Ref # 92062) | 92062-0562 | 1 |
| PLUG,FILTER STOPPER (Ref # 92066) | 92066-0764 | 1 |
| BOLT,SOCKET,5X10 (Ref # 92154) | 92154-0211 | 2 |
| CLAMP (Ref # 92170) | 92170-3764 | 4 |
| CLAMP (Ref # 92171) | 92171-3715 | 2 |
| TUBE,PIPE EX-MUFFLER (Ref # 92191) | 92191-3986 | 1 |
| TUBE,2ND-TAIL PIPE (Ref # 92192) | 92192-3762 | 1 |
| TUBE,1ST-2ND (Ref # 92192A) | 92192-3860 | 1 |
| BOLT-FLANGED,8X120 (Ref # 130) | 130CD08120 | 8 |
| BOLT-FLANGED,8X140 (Ref # 130A) | 130CD08140 | 2 |
| BOLT-FLANGED,8X95 (Ref # 130B) | 130CD0895 | 1 |
| BOLT-FLANGED,10X100 (Ref # 130C) | 130CD10100 | 4 |
| BOLT-FLANGED,10X150 (Ref # 130D) | 130CD10150 | 1 |
| WASHER-PLAIN,8MM (Ref # 411) | 411S0800 | 13 |
| WASHER-PLAIN,10MM (Ref # 411A) | 411S1000 | 5 |
| PIN-DOWEL (Ref # 551) | 551R0412 | 2 |