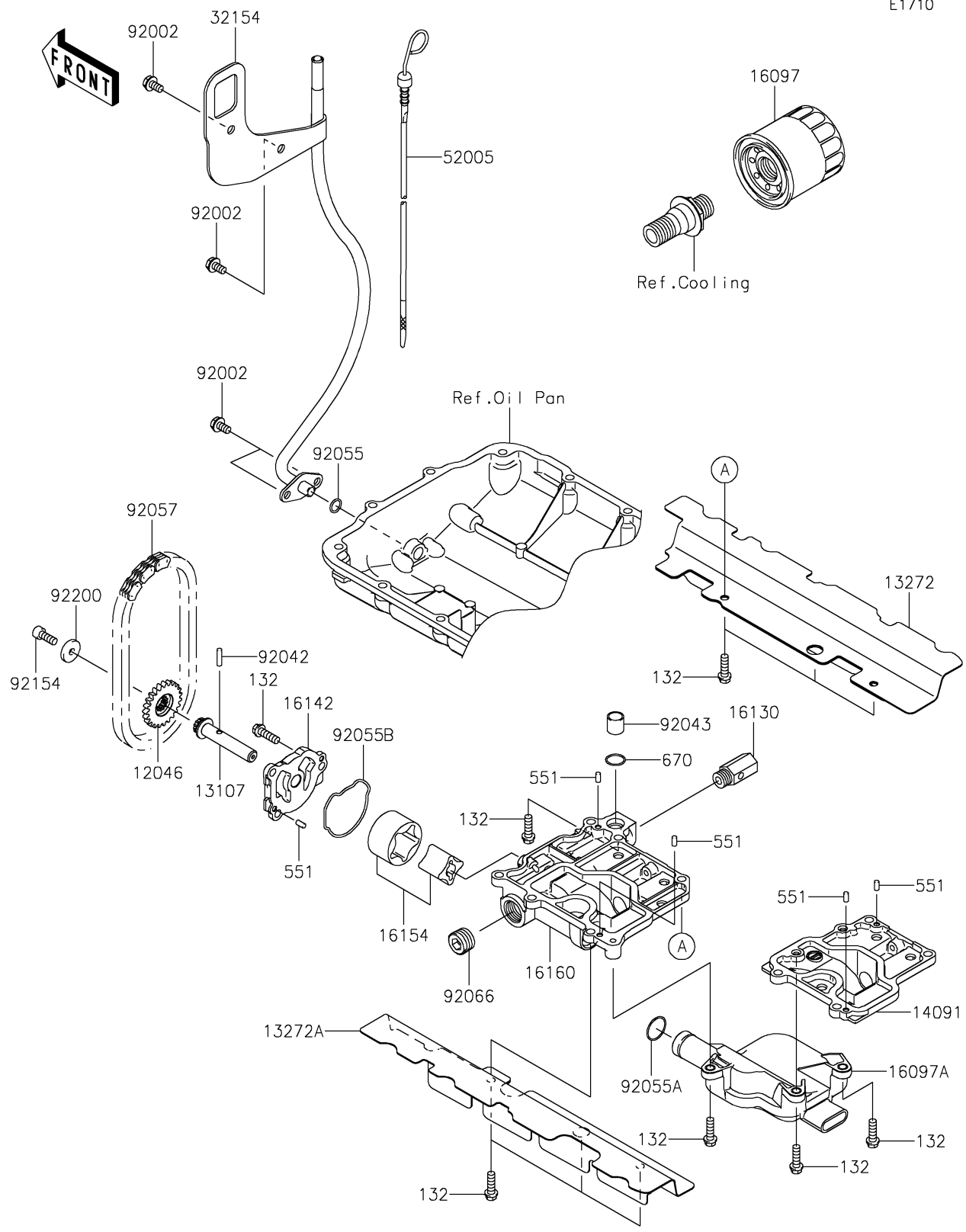


2024 JET SKI® ULTRA® 310LX-S PARTS DIAGRAM

Oil Pump

E1710



2024 JET SKI® ULTRA® 310LX-S PARTS LIST

Oil Pump

| ITEM NAME | PART NUMBER | QUANTITY |
|--|-------------|----------|
| SPROCKET,23T (Ref # 12046) | 12046-3708 | 1 |
| SHAFT (Ref # 13107) | 13107-0730 | 1 |
| PLATE,RH (Ref # 13272) | 13272-1563 | 1 |
| PLATE,LH (Ref # 13272A) | 13272-1798 | 1 |
| COVER (Ref # 14091) | 14091-3767 | 1 |
| FILTER-ASSY-OIL (Ref # 16097) | 16097-0007 | 1 |
| FILTER-ASSY-OIL (Ref # 16097A) | 16097-3702 | 1 |
| VALVE-ASSY-RELIEF (Ref # 16130) | 16130-3701 | 1 |
| COVER-PUMP (Ref # 16142) | 16142-3703 | 1 |
| ROTOR-PUMP (Ref # 16154) | 16154-1124 | 1 |
| BODY,OIL PUMP (Ref # 16160) | 16160-0705 | 1 |
| PIPE,OIL LEVEL (Ref # 32154) | 32154-3721 | 1 |
| GAUGE,OIL LEVEL (Ref # 52005) | 52005-0729 | 1 |
| BOLT,6X12 (Ref # 92002) | 92002-3763 | 4 |
| PIN,DOWEL,4X15.8 (Ref # 92042) | 92042-014 | 1 |
| PIN,11.5X14X14 (Ref # 92043) | 92043-1279 | 1 |
| RING-O,9.8X2.4 (Ref # 92055) | 92055-1150 | 1 |
| RING-O,19.8X1.9 (Ref # 92055A) | 92055-1332 | 1 |
| RING-O (Ref # 92055B) | 92055-3764 | 1 |
| CHAIN,OIL PUMP,98XRH2010-52L (Ref # 92057) | 92057-3713 | 1 |
| PLUG,PT1/2X12.5 (Ref # 92066) | 92066-0002 | 1 |
| BOLT,SOCKET,6X16 (Ref # 92154) | 92154-3709 | 1 |
| WASHER,6X20X3.2 (Ref # 92200) | 92200-0120 | 1 |
| BOLT-FLANGED-SMALL,6X20 (Ref # 132) | 132BD0620 | 16 |
| PIN-DOWEL (Ref # 551) | 551R0408 | 5 |
| O RING,14MM (Ref # 670) | 670D2014 | 1 |