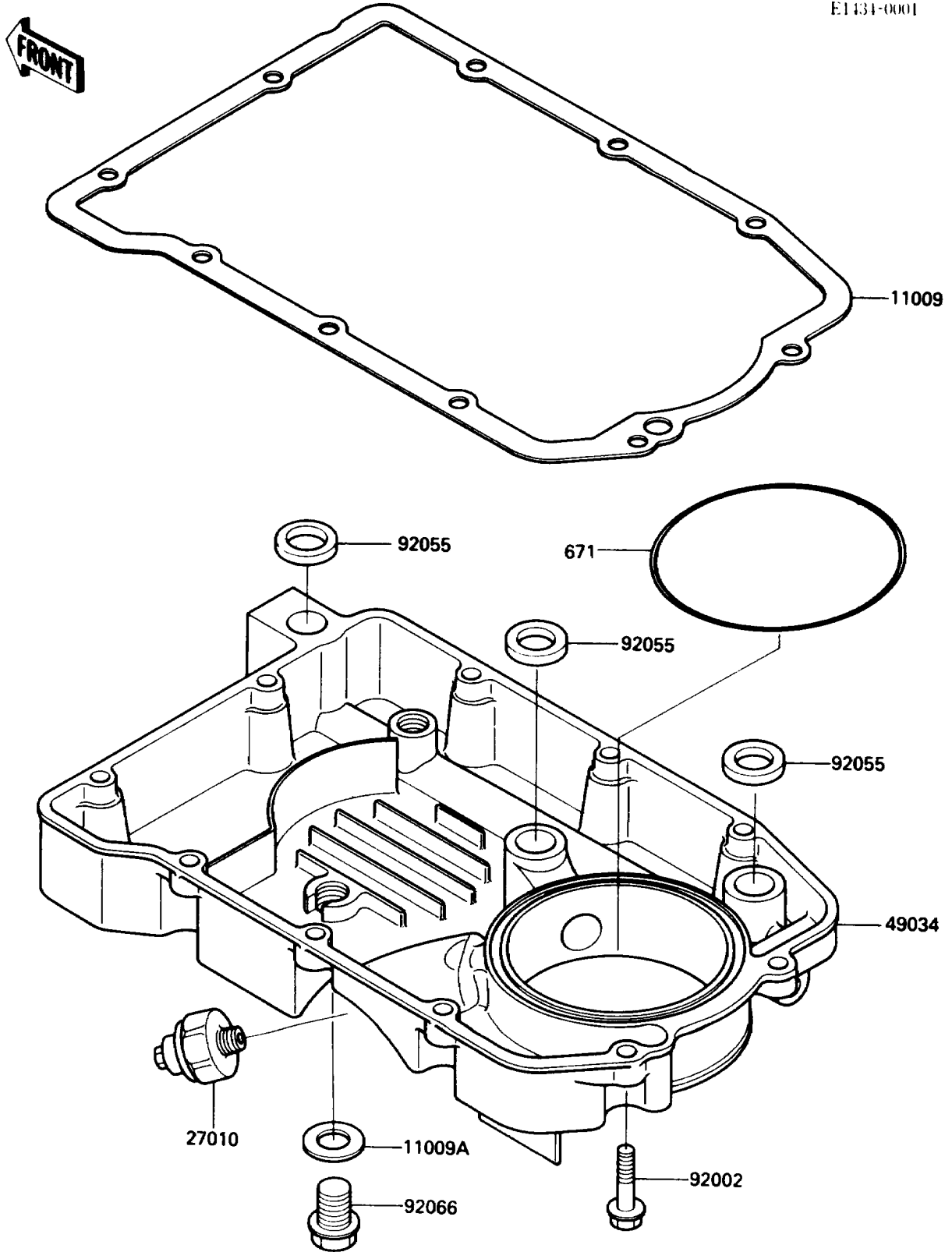


1989 Ninja® 600R PARTS DIAGRAM

Oil Pan

E1434-0001



1989 Ninja® 600R PARTS LIST

Oil Pan

ITEM NAME	PART NUMBER	QUANTITY
GASKET,OIL PAN (Ref # 11009)	11009-1501	1
GASKET,12X22X2,DRAIN PLUG (Ref # 11009A)	92065-097	1
SWITCH,OIL PRESSURE (Ref # 27010)	27010-1155	1
PAN-OIL (Ref # 49034)	49034-1060	1
BOLT,6X25 (Ref # 92002)	92002-1089	10
RING-O,19.5MM (Ref # 92055)	92055-077	3
PLUG,OIL DRAIN,12X15 (Ref # 92066)	92066-1174	1
O RING,90MM (Ref # 671)	671B2590	1