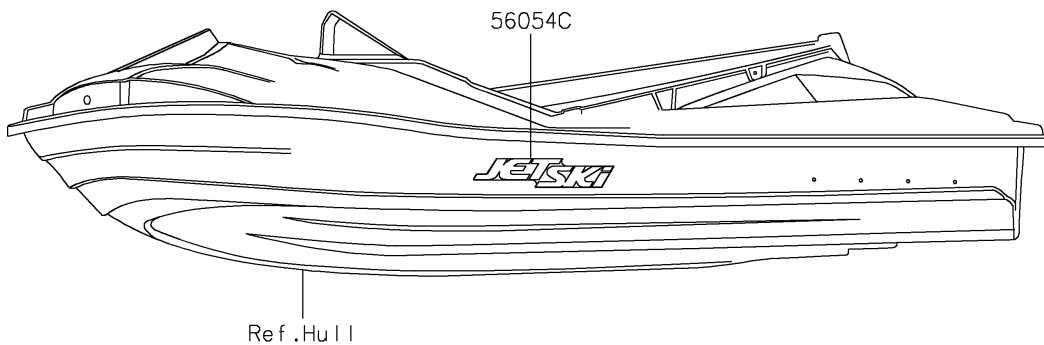
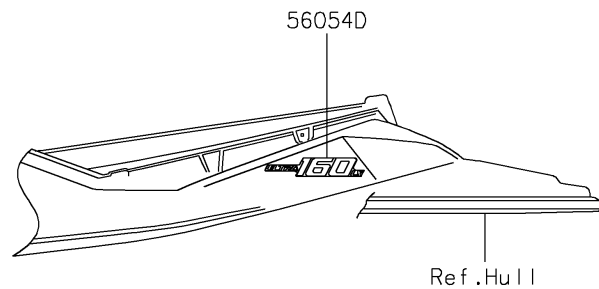
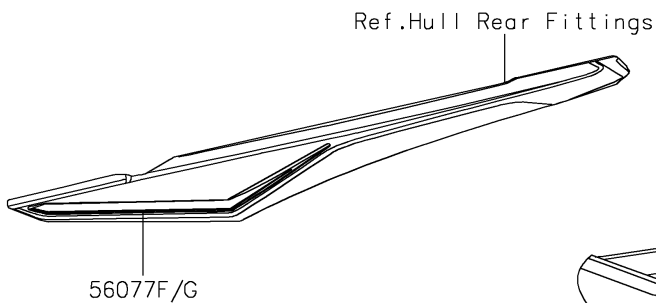
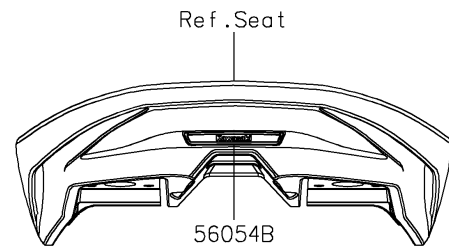
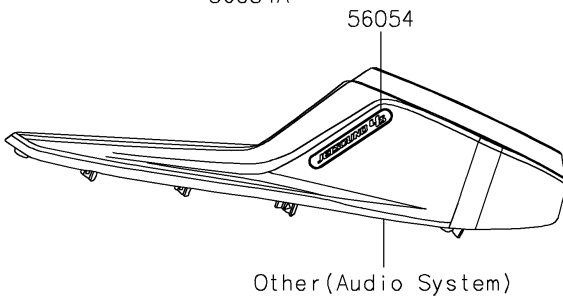
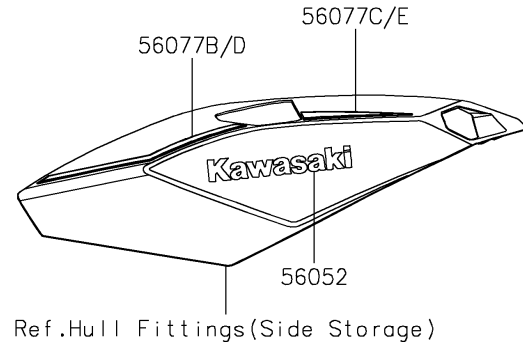
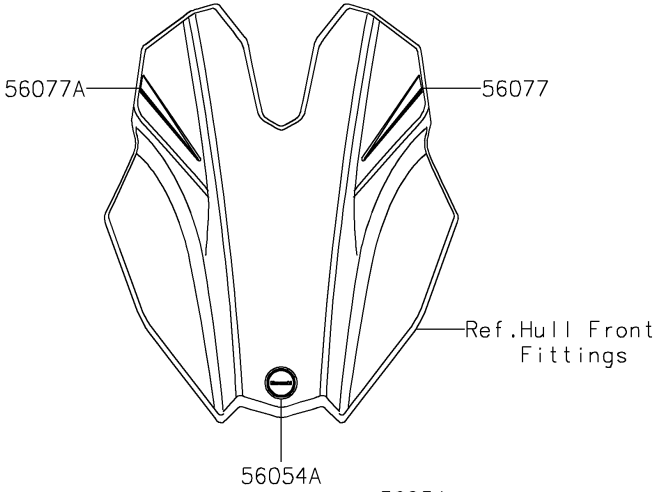


2025 JET SKI® ULTRA® 160LX PARTS DIAGRAM

Decals(ASFNN/ASSNN)

F3880A



2025 JET SKI® ULTRA® 160LX PARTS LIST

Decals(ASFNN/ASSNN)

ITEM NAME	PART NUMBER	QUANTITY
MARK,KAWASAKI (Ref # 56052)	56052-0866	2
MARK,UPP CASE,JETSOUND (Ref # 56054)	56054-3778	2
MARK,HATCH COVER,KAWASAKI (Ref # 56054A)	56054-3925	1
MARK,RR GRIP,KAWASAKI (Ref # 56054B)	56054-3927	1
MARK,HULL,JETSKI (Ref # 56054C)	56054-4002	2
MARK,DECK,ULTRA160LX (Ref # 56054D)	56054-4214	2
PATTERN,HATCH COVER,LH (Ref # 56077)	56077-0412	1
PATTERN,HATCH COVER,RH (Ref # 56077A)	56077-0413	1
PATTERN,SIDE COVER,FR,LH (Ref # 56077B)	56077-0414	1
PATTERN,SIDE COVER,RR,LH (Ref # 56077C)	56077-0415	1
PATTERN,SIDE COVER,FR,RH (Ref # 56077D)	56077-0416	1
PATTERN,SIDE COVER,RR,RH (Ref # 56077E)	56077-0417	1
PATTERN,SIDE COVER,LH (Ref # 56077F)	56077-0418	1
PATTERN,SIDE COVER,RH (Ref # 56077G)	56077-0419	1