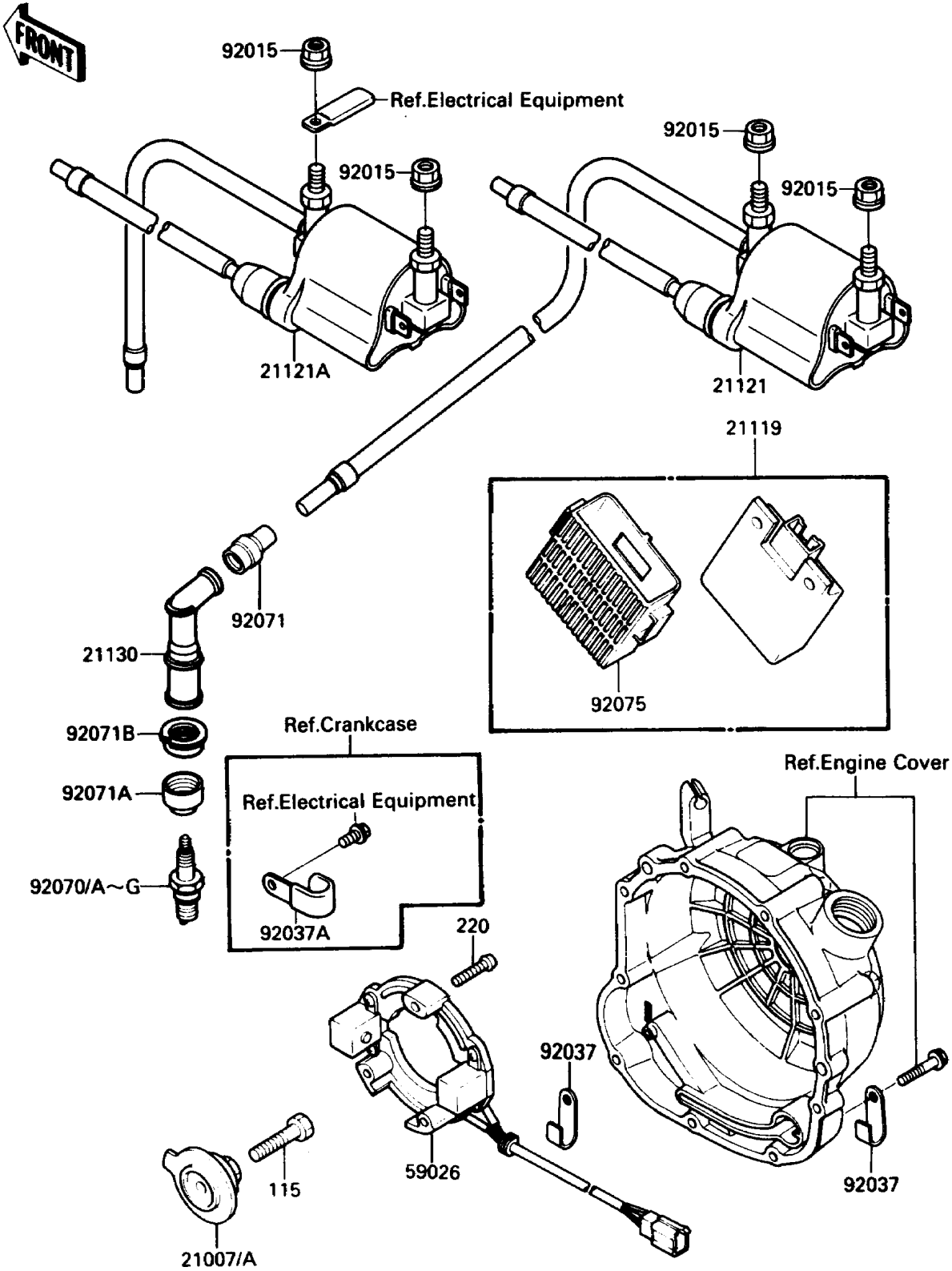


1988 NINJA® 600R PARTS DIAGRAM

Ignition System

E1830-0270



1988 NINJA® 600R PARTS LIST

Ignition System

ITEM NAME	PART NUMBER	QUANTITY
ROTOR,PULSING COIL (Ref # 21007)	21007-1135	1
ROTOR (Ref # 21007A)	21007-1159	1
IGNITER (Ref # 21119)	21119-1167	1
COIL-IGNITION,#1 (Ref # 21121)	21121-1157	1
COIL-IGNITION,#2 (Ref # 21121A)	21121-1158	1
CAP-SPARK PLUG (Ref # 21130)	21130-1057	4
COIL-PULSING (Ref # 59026)	59026-1078	1
NUT,FLANGED,6MM (Ref # 92015)	92015-1193	4
CLAMP,WIRING HARNESS (Ref # 92037)	21126-008	2
CLAMP,WIRING HARNESS (Ref # 92037A)	92037-1539	1
PLUG-SPARK,X24ESR-U(ND) (Ref # 92070)		4
PLUG-SPARK,D8EA(NGK) (Ref # 92070A)	92070-1011	4
PLUG-SPARK,DR8ES(NGK) (Ref # 92070B)	92070-1019	4
PLUG-SPARK,X24ES-U(ND) (Ref # 92070C)		4
PLUG-SPARK,D9EA(NGK) (Ref # 92070D)	92070-1034	4
PLUG-SPARK,X27ES-U(ND) (Ref # 92070E)		4
PLUG-SPARK,DR8ES-L(NGK) (Ref # 92070F)		4
PLUG-SPARK,DR8ES-L(NGK) (Ref # 92070G)	92070-1116	4
GROMMET,HIGH TENSION (Ref # 92071)	21131-005	4
GROMMET,PLUG CAP (Ref # 92071A)	92071-1124	4
GROMMET (Ref # 92071B)	92071-1144	4
DAMPER,IGNITER (Ref # 92075)	92075-1504	1
BOLT-SMALL-UPSET (Ref # 115)	115G0835	1
SCREW-PAN-CROS,5X25 (Ref # 220)	220B0525	3