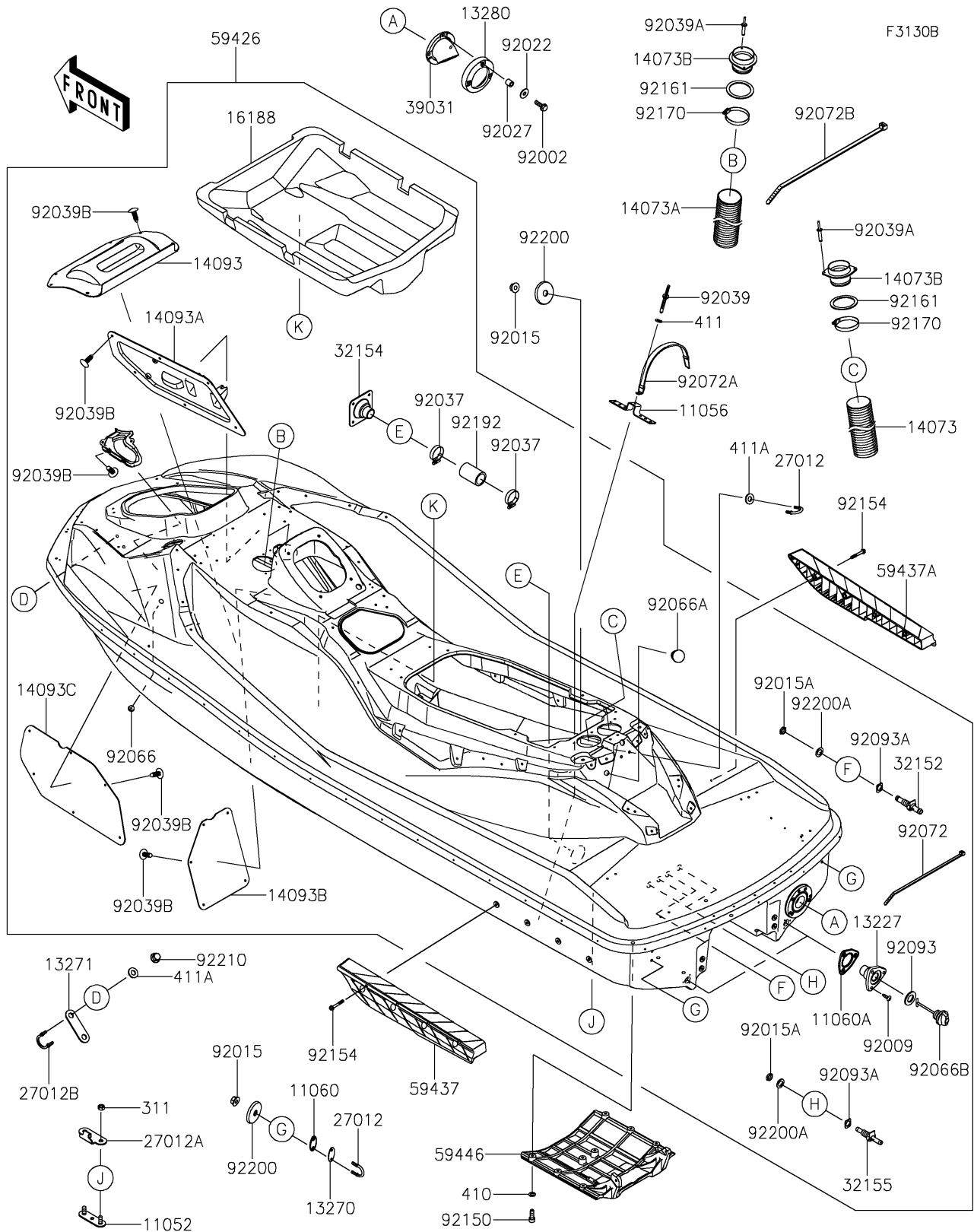


# 2025 Ultra 160LX-S PARTS DIAGRAM

Hull(BSSNN)



## 2025 Ultra 160LX-S PARTS LIST

Hull(BSSNN)

| ITEM NAME                                | PART NUMBER    | QUANTITY |
|--|----------------|----------|
| BRACKET,RR DUCT (Ref # 11052)            | 11052-3712     | 1        |
| BRACKET,WATER MUFFLER (Ref # 11056)      | 11056-3722     | 1        |
| GASKET,U HOOK,RR (Ref # 11060)           | 11060-3800     | 2        |
| GASKET,DRAIN PLUG (Ref # 11060A)         | 11060-3801     | 2        |
| HOUSING,DRAIN PLUG,F.BLACK (Ref # 13227) | 13227-3721-6Z  | 2        |
| PLATE (Ref # 13270)                      | 13270-3860     | 2        |
| PLATE (Ref # 13271)                      | 13271-3724     | 1        |
| HOLDER,EXHAUST VALVE (Ref # 13280)       | 13280-3718     | 1        |
| DUCT (Ref # 14073)                       | 14073-0868     | 2        |
| DUCT,L=800 (Ref # 14073A)                | 14073-0878     | 2        |
| DUCT (Ref # 14073B)                      | 14073-3805     | 4        |
| COVER,BATTERY (Ref # 14093)              | 14093-1162     | 1        |
| COVER,STORAGE CASE,RH (Ref # 14093A)     | 14093-1163     | 1        |
| COVER,STORAGE CASE,RR (Ref # 14093B)     | 14093-1211     | 1        |
| COVER,STORAGE CASE,LH (Ref # 14093C)     | 14093-1212     | 1        |
| FLOAT (Ref # 16188)                      | 16188-0063     | 1        |
| HOOK (Ref # 27012)                       | 27012-3797     | 3        |
| HOOK (Ref # 27012A)                      | 27012-3816     | 1        |
| HOOK (Ref # 27012B)                      | 27012-3821     | 1        |
| PIPE (Ref # 32152)                       | 32152-3749     | 2        |
| PIPE,DRIVE SHAFT (Ref # 32154)           | 32154-3714     | 1        |
| PIPE,COOLING (Ref # 32155)               | 32155-1511     | 2        |
| CAP-END (Ref # 39031)                    | 39031-3704     | 1        |
| HULL-COMP,BLACK (Ref # 59426)            | 59426-0050-650 | 1        |
| STABILIZER,LH,F.BLACK (Ref # 59437)      | 59437-3749-6Z  | 1        |
| STABILIZER,RH,F.BLACK (Ref # 59437A)     | 59437-3750-6Z  | 1        |
| COVER-JET PUMP (Ref # 59446)             | 59446-0004     | 1        |
| BOLT,6X20 (Ref # 92002)                  | 92002-3755     | 3        |
| SCREW,TAPPING,4X16 (Ref # 92009)         | 92009-3849     | 6        |

## 2025 Ultra 160LX-S PARTS LIST

Hull(BSSNN)

| ITEM NAME                            | PART NUMBER   | QUANTITY |
|--------------------------------------|---------------|----------|
| NUT,FLANGED,8MM (Ref # 92015)        | 92015-1933    | 6        |
| NUT,20MM (Ref # 92015A)              | 92015-3738    | 4        |
| WASHER (Ref # 92022)                 | 92022-567     | 3        |
| COLLAR,6.2X10X10 (Ref # 92027)       | 92027-3705    | 3        |
| CLAMP (Ref # 92037)                  | 92037-3009    | 2        |
| RIVET (Ref # 92039)                  | 92039-0808    | 1        |
| RIVET (Ref # 92039A)                 | 92039-3775    | 8        |
| RIVET (Ref # 92039B)                 | 92039-3788    | 25       |
| PLUG (Ref # 92066)                   | 92066-1306    | 1        |
| PLUG (Ref # 92066A)                  | 92066-1550    | 1        |
| PLUG,RR,DRAIN,F.BLACK (Ref # 92066B) | 92066-3783-6Z | 2        |
| BAND,L=188.85 (Ref # 92072)          | 92072-0105    | 3        |
| BAND,314X18 (Ref # 92072A)           | 92072-3814    | 1        |
| BAND,L=608.22 (Ref # 92072B)         | 92072-3884    | 1        |
| SEAL (Ref # 92093)                   | 92093-3720    | 2        |
| SEAL (Ref # 92093A)                  | 92093-3784    | 4        |
| BOLT,SOCKET,6X18 (Ref # 92150)       | 92150-3775    | 8        |
| BOLT,FLANGED,8X55 (Ref # 92154)      | 92154-1123    | 8        |
| DAMPER (Ref # 92161)                 | 92161-3769    | 4        |
| CLAMP (Ref # 92170)                  | 92170-1679    | 4        |
| TUBE,39X51X78 (Ref # 92192)          | 92192-3756    | 1        |
| WASHER (Ref # 92200)                 | 92200-3779    | 6        |
| WASHER,21X34X2 (Ref # 92200A)        | 92200-3802    | 4        |
| NUT,CAP,8MM (Ref # 92210)            | 92210-1132    | 2        |
| NUT-HEX,6MM (Ref # 311)              | 311R0600      | 2        |
| WASHER-PLAIN-SMALL,6MM (Ref # 410)   | 410S0600      | 8        |
| WASHER-PLAIN,5MM (Ref # 411)         | 411S0500      | 1        |
| WASHER-PLAIN,8MM (Ref # 411A)        | 411S0800      | 4        |