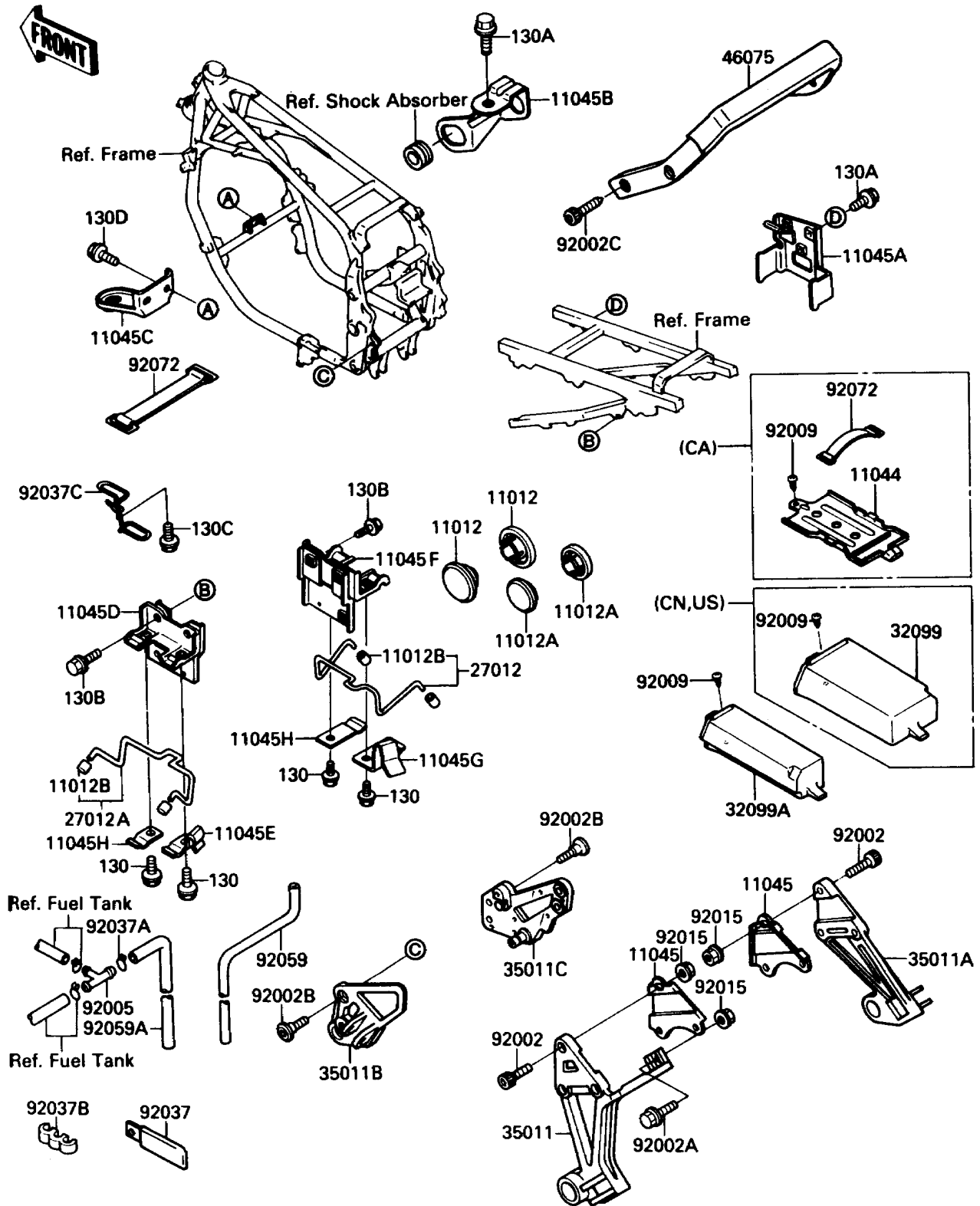


# 1988 NINJA® 600R PARTS DIAGRAM

Battery Case

F2132



# 1988 NINJA® 600R PARTS LIST

## Battery Case

ITEM NAME	PART NUMBER	QUANTITY
CAP,SWING ARM BRACKET (Ref # 11012)	11012-1459	2
CAP,SWING ARM BRACKET (Ref # 11012A)	11012-1558	2
CAP,BUNGEE CORD HOOK (Ref # 11012B)	11012-1598	4
BRACKET,CANISTER (Ref # 11044)	11044-1133	1
BRACKET,MUFFLER STAY (Ref # 11045)	11045-1284	2
BRACKET,REGULATOR (Ref # 11045A)	11045-1599	1
BRACKET,REAR SHOCKABSORBER (Ref # 11045B)	11045-1600	1
BRACKET,RADIATOR (Ref # 11045C)	11045-1601	1
BRACKET,BUNGEE CORD HOOK,LH (Ref # 11045D)	11045-1602	1
BRACKET,BUNGEE CORD HOOK,LH (Ref # 11045E)	11045-1603	1
BRACKET,BUNGEE CORD HOOK,RH (Ref # 11045F)	11045-1890	1
BRACKET,BUNGEE CORD HOOK,RH (Ref # 11045G)	11045-1891	1
BRACKET,BUNGEE CORD HOOK (Ref # 11045H)	11045-1892	2
HOOK,BUNGEE CORD,RH (Ref # 27012)	27012-1366	1
HOOK,BUNGEE CORD,LH (Ref # 27012A)	27012-1382	1
CASE (Ref # 32099)	32099-1074	1
CASE,TOOL (Ref # 32099A)	32099-1075	1
STAY,MUFFLER,LH (Ref # 35011)	35011-1342	1
STAY,MUFFLER,RH (Ref # 35011A)	35011-1343	1
STAY,STEP HOLDER,FR,LH (Ref # 35011B)	35011-1344	1
STAY,STEP HOLDER,FR,RH (Ref # 35011C)	35011-1345	1
GRIP,GRABRAIL (Ref # 46075)	46075-1072	1
BOLT,SOCKET,8X22 (Ref # 92002)	92002-1334	6
BOLT,FLANGED,8X20 (Ref # 92002A)	92002-1417	1
BOLT,SOCKET,8X20 (Ref # 92002B)	92002-1493	4
BOLT,SOCKET,6X24 (Ref # 92002C)	92002-1511	4
FITTING,T-TYPE (Ref # 92005)	92005-1143	1
SCREW,TAPPING,6MM (Ref # 92009)	92009-1261	2
NUT,FLANGED,8MM (Ref # 92015)	92015-1406	3

## 1988 NINJA® 600R PARTS LIST

### Battery Case

ITEM NAME	PART NUMBER	QUANTITY
CLAMP,WIRING HARNESS (Ref # 92037)	92037-1069	1
CLAMP (Ref # 92037A)	92037-1712	1
CLAMP,TUBE (Ref # 92037B)	92037-1941	1
CLAMP,TUBE (Ref # 92037C)	92037-1942	1
TUBE (Ref # 92059)	92059-1821	1
TUBE (Ref # 92059A)	92059-1822	1
BAND,L=142.1 (Ref # 92072)	92072-006	2
BAND,L=142.1 (Ref # 92072)	92072-006	1
BOLT-FLANGED,6X10,BLACK (Ref # 130)	130C0610	4
BOLT-FLANGED,6X12 (Ref # 130A)	130C0612	3
BOLT-FLANGED,6X14 (Ref # 130B)	130C0614	4
BOLT-FLANGED (Ref # 130C)	130J0610	1
BOLT-FLANGED,8X14 (Ref # 130D)	130J0814	2