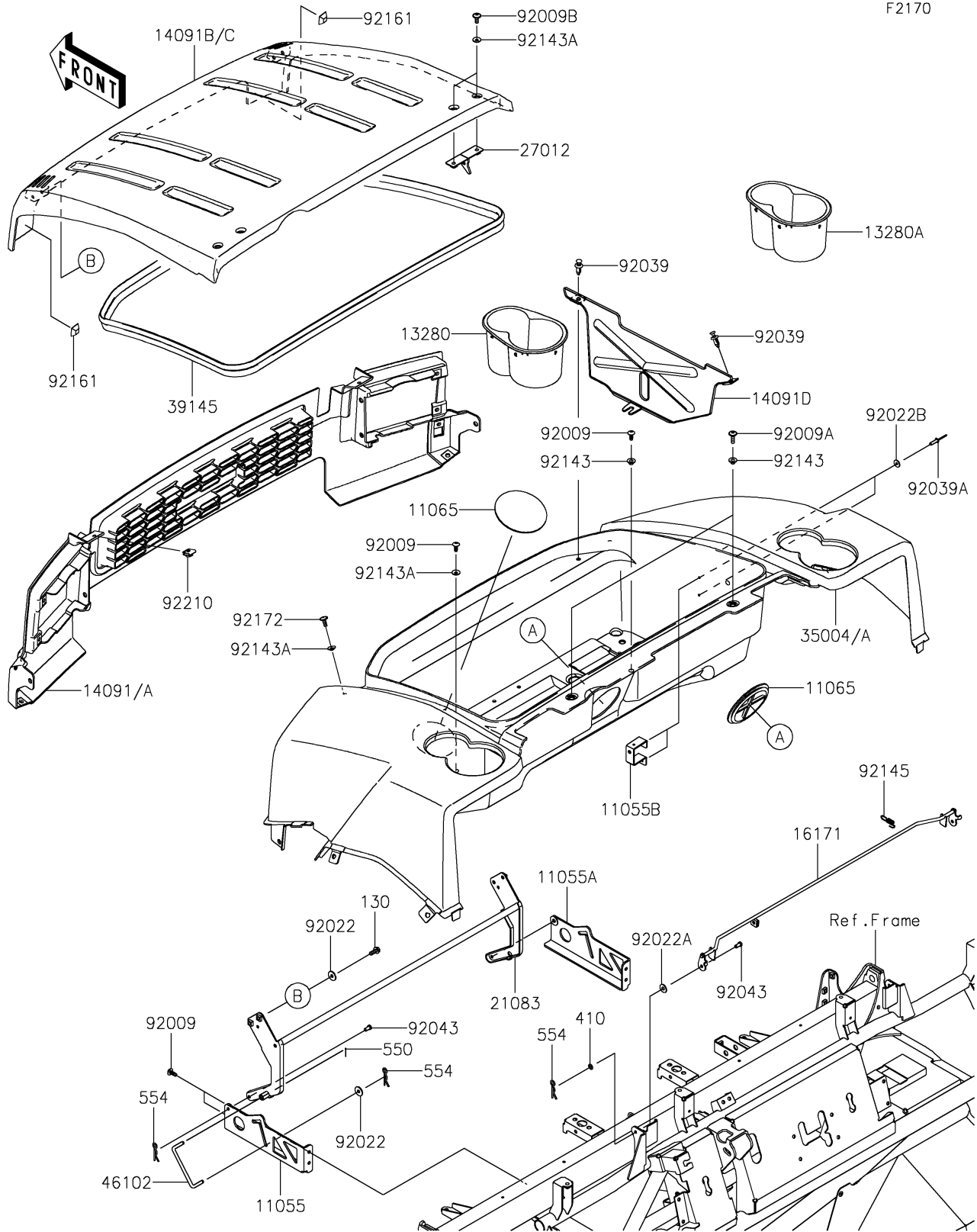


2025 MULE™ 4010 TRANS4x4® PARTS DIAGRAM

Fenders



2025 MULE™ 4010 TRANS4x4® PARTS LIST

Fenders

| ITEM NAME | PART NUMBER | QUANTITY |
|---|----------------|----------|
| BRACKET,HINGE,LH (Ref # 11055) | 11055-0037 | 1 |
| BRACKET,HINGE,RH (Ref # 11055A) | 11055-0038 | 1 |
| BRACKET,RESERVOIR TANK (Ref # 11055B) | 11055-0124 | 1 |
| CAP,F.BLACK (Ref # 11065) | 11065-1053-6Z | 2 |
| HOLDER,CUP HOLDER,LH,F.BLACK (Ref # 13280) | 13280-0265-6Z | 1 |
| HOLDER,CUP HOLDER,RH,F.BLACK (Ref # 13280A) | 13280-0266-6Z | 1 |
| COVER,FRONT GRILL,D.R.RED (Ref # 14091) | 14091-0818-16L | 1 |
| COVER,FRONT GRILL,T.GREEN (Ref # 14091A) | 14091-0818-42S | 1 |
| COVER,FRONT FENDER,D.R.RED (Ref # 14091B) | 14091-0829-16L | 1 |
| COVER,FRONT FENDER,T.GREEN (Ref # 14091C) | 14091-0829-42S | 1 |
| COVER,RESERVOIR TANK (Ref # 14091D) | 14091-1715 | 1 |
| LINK (Ref # 16171) | 16171-0015 | 1 |
| ARM,HOOD (Ref # 21083) | 21083-0051 | 1 |
| HOOK,HOOD (Ref # 27012) | 27012-0119 | 2 |
| FENDER-FRONT,CNT,D.R.RED (Ref # 35004) | 35004-0096-16L | 1 |
| FENDER-FRONT,CNT,T.GREEN (Ref # 35004A) | 35004-0096-42S | 1 |
| TRIM-SEAL,L=2350 (Ref # 39145) | 39145-0032 | 1 |
| ROD (Ref # 46102) | 46102-0103 | 1 |
| SCREW,TAPPING,6X16 (Ref # 92009) | 92009-1166 | 6 |
| SCREW,6X22,BLACK (Ref # 92009A) | 92009-1256 | 2 |
| SCREW,6X16 (Ref # 92009B) | 92009-1621 | 4 |
| WASHER,6.5X20X1.6,BLACK (Ref # 92022) | 92022-1346 | 5 |
| WASHER,7X18X1.2 (Ref # 92022A) | 92022-1545 | 2 |
| WASHER,4.3X12.5X1 (Ref # 92022B) | 92022-1949 | 2 |
| RIVET (Ref # 92039) | 92039-0776 | 2 |
| RIVET (Ref # 92039A) | 92039-1150 | 2 |
| PIN,6X9 (Ref # 92043) | 92043-1626 | 4 |
| COLLAR (Ref # 92143) | 92143-1057 | 3 |
| COLLAR (Ref # 92143A) | 92143-1087 | 7 |

2025 MULE™ 4010 TRANS4x4® PARTS LIST

Fenders

| ITEM NAME | PART NUMBER | QUANTITY |
|-----------------------------------|-------------|----------|
| SPRING (Ref # 92145) | 92145-0215 | 1 |
| DAMPER,FR HOOD (Ref # 92161) | 92161-0790 | 2 |
| SCREW,TAPPING,6X20 (Ref # 92172) | 92172-0488 | 2 |
| NUT,LEAF SPRING,6MM (Ref # 92210) | 92210-0624 | 2 |
| BOLT-FLANGED,6X16 (Ref # 130) | 130BA0616 | 4 |
| WASHER-PLAIN-SMALL (Ref # 410) | 410AA0600 | 2 |
| PIN-COTTER,1.6X15 (Ref # 550) | 550AA1615 | 1 |
| PIN-SNAP,1.2X21.2 (Ref # 554) | 554DA0600 | 5 |