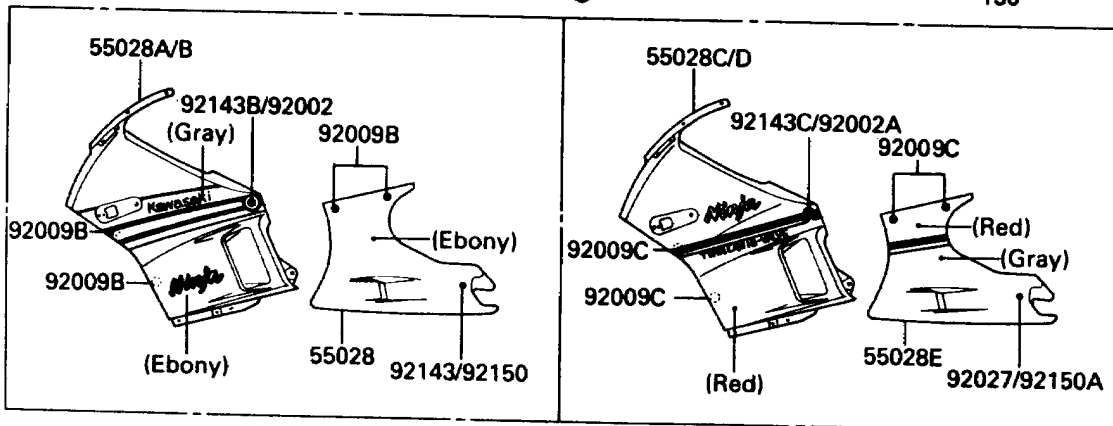
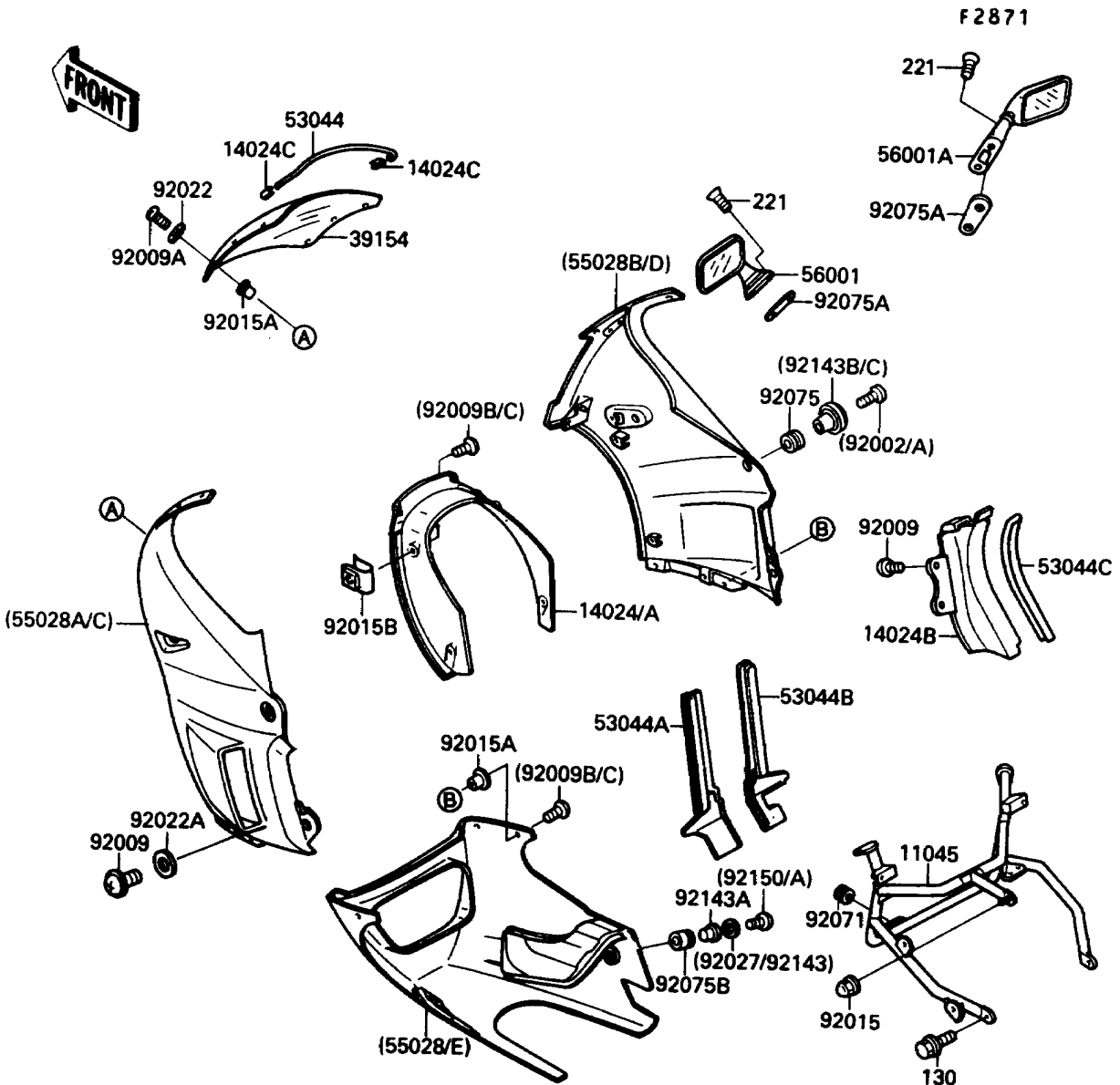


1988 NINJA® 600R PARTS DIAGRAM

Cowling (ZX600-C1)



1988 NINJA® 600R PARTS LIST

Cowling (ZX600-C1)

ITEM NAME	PART NUMBER	QUANTITY
BRACKET,COWLING (Ref # 11045)	11045-1538	1
COVER,HEAD LAMP,C.P.RED (Ref # 14024)	14024-1408-A5	1
COVER,HEAD LAMP,EBONY (Ref # 14024A)	14024-1408-H8	1
COVER,COWLING,INNER,RH (Ref # 14024B)	14024-1538	1
COVER,TRIM END (Ref # 14024C)	14025-1756	2
WINDSHIELD (Ref # 39154)	39154-1107	1
TRIM,WINDSHIELD (Ref # 53044)	53044-1130	1
TRIM,COWLING,LH (Ref # 53044A)	53044-1193	1
TRIM,COWLING,RH (Ref # 53044B)	53044-1194	1
TRIM (Ref # 53044C)	53044-1198	1
COWLING,LWR,EBONY (Ref # 55028)	55028-1156-H8	1
COWLING,UPP,LH,EBONY/GRAY (Ref # 55028A)	55028-5359-T4	1
COWLING,UPP,RH,EBONY/GRAY (Ref # 55028B)	55028-5360-T4	1
COWLING,UPP,LH,C.P.RED (Ref # 55028C)	55028-5377-A5	1
COWLING,UPP,RH,C.P.RED (Ref # 55028D)	55028-5378-A5	1
COWLING,LWR,RED/GRAYSTONE (Ref # 55028E)	55028-5379-CF	1
MIRROR-ASSY,LH (Ref # 56001)	56001-1317	1
MIRROR-ASSY,RH (Ref # 56001A)	56001-1318	1
BOLT,SOCKET,6X18,BLACK (Ref # 92002)	92002-1514	2
BOLT,SOCKET,6X18,WHITE (Ref # 92002A)	92002-1889	2
SCREW,6X14 (Ref # 92009)	92009-1288	4
SCREW,5X16,BLACK (Ref # 92009A)	92009-1301	6
SCREW,5X20,BLACK (Ref # 92009B)	92009-1453	8
SCREW,5X20,WHITE (Ref # 92009C)	92009-1491	8
NUT,CAP,8MM,BLACK (Ref # 92015)	92015-1174	1
NUT,WELL,5MM (Ref # 92015A)	92015-1640	10
NUT,5MM (Ref # 92015B)	92015-1710	4
WASHER,NYLON,5.3X11.5X1.5 (Ref # 92022)	92022-1521	6
WASHER,6.5X16X1.0 (Ref # 92022A)	92022-1654	2

1988 NINJA® 600R PARTS LIST

Cowling (ZX600-C1)

ITEM NAME	PART NUMBER	QUANTITY
COLLAR,L=6.5,WHITE (Ref # 92027)	92027-1886	2
GROMMET (Ref # 92071)	92071-056	2
DAMPER (Ref # 92075)	92075-1634	2
DAMPER,MIRROR (Ref # 92075A)	92075-1929	2
DAMPER (Ref # 92075B)	92075-1936	2
COLLAR,L=6.5,BLACK (Ref # 92143)	92143-1086	2
COLLAR,L=19.6 (Ref # 92143A)	92143-1100	2
COLLAR,BLACK (Ref # 92143B)	92143-1226	2
COLLAR,WHITE (Ref # 92143C)	92143-1273	2
BOLT,SOCKET,6X30,BLACK (Ref # 92150)	92002-1945	2
BOLT,SOCKET,6X30,WHITE (Ref # 92150A)	92002-1998	2
BOLT-FLANGED,8X12,BLACK (Ref # 130)	130C0812	2
SCREW-CSK-CROS,6X30 (Ref # 221)	221C0630	4