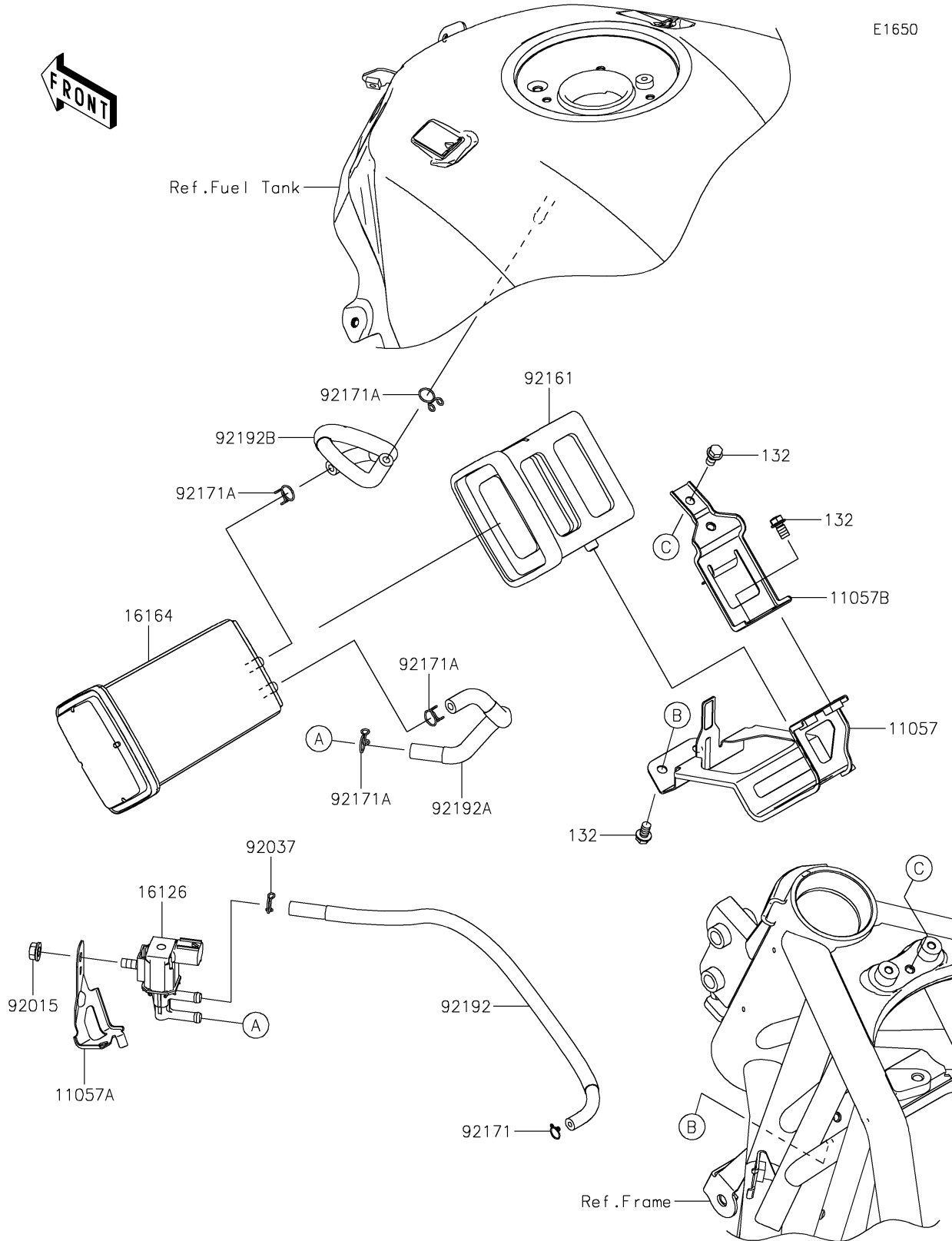


# 2025 Ninja H2 SX SE PARTS DIAGRAM

## Fuel Evaporative System



## 2025 Ninja H2 SX SE PARTS LIST

### Fuel Evaporative System

| ITEM NAME                                  | PART NUMBER | QUANTITY |
|--|-------------|----------|
| BRACKET,CANISTER,LWR (Ref # 11057)         | 11057-1202  | 1        |
| BRACKET,PVC VALVE (Ref # 11057A)           | 11057-1204  | 1        |
| BRACKET,CANISTER,UPP (Ref # 11057B)        | 11057-7256  | 1        |
| VALVE,PCV (Ref # 16126)                    | 16126-0731  | 1        |
| CANISTER (Ref # 16164)                     | 16164-0012  | 1        |
| NUT,FLANGED,6MM (Ref # 92015)              | 92015-1367  | 1        |
| CLAMP (Ref # 92037)                        | 92037-1712  | 1        |
| DAMPER,CANISTER (Ref # 92161)              | 92161-1715  | 1        |
| CLAMP (Ref # 92171)                        | 92171-0573  | 1        |
| CLAMP (Ref # 92171A)                       | 92171-0718  | 4        |
| TUBE,THROTTLE BODY-PVC VALVE (Ref # 92192) | 92192-1830  | 1        |
| TUBE,CANISTER-PVC VALVE (Ref # 92192A)     | 92192-1831  | 1        |
| TUBE,CANISTER-FUEL TANK (Ref # 92192B)     | 92192-1832  | 1        |
| BOLT-FLANGED-SMALL,6X10 (Ref # 132)        | 132BA0610   | 5        |