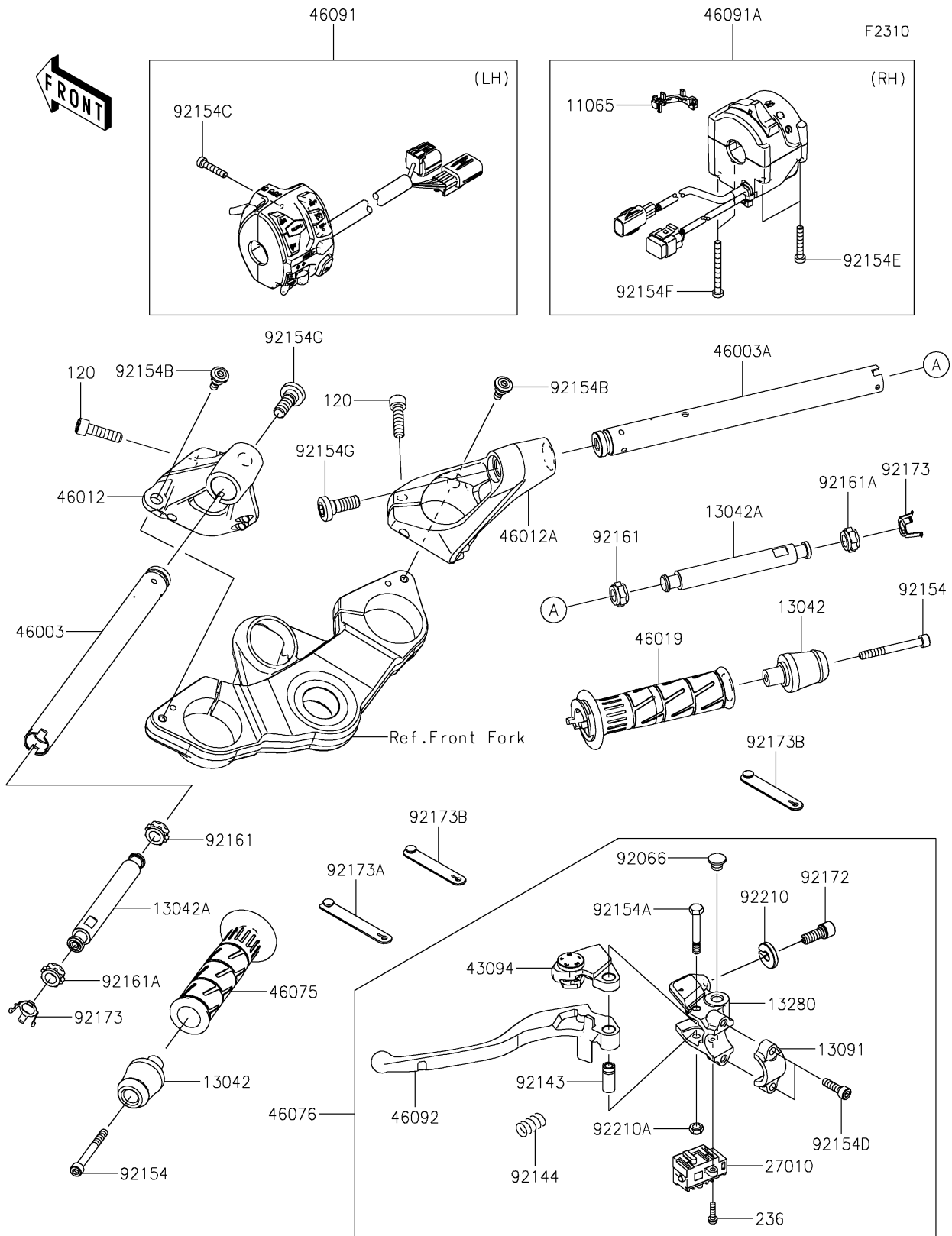


# 2025 NINJA® 1100SX ABS PARTS DIAGRAM

Handlebar



## 2025 NINJA® 1100SX ABS PARTS LIST

### Handlebar

ITEM NAME	PART NUMBER	QUANTITY
CAP,WATERPROOF (Ref # 11065)	11065-1492	1
WEIGHT,HANDLE (Ref # 13042)	13042-0753	2
WEIGHT,HANDLE,INSIDE (Ref # 13042A)	13042-0768	2
HOLDER,CLUTCH LEVER (Ref # 13091)	13091-1624	1
HOLDER (Ref # 13280)	13280-0926	1
SWITCH,CLUTCH (Ref # 27010)	27010-0925	1
ADJUSTER (Ref # 43094)	43094-0008	1
HANDLE,LH (Ref # 46003)	46003-0857	1
HANDLE,RH (Ref # 46003A)	46003-0858	1
HOLDER-HANDLE,LH,F.S.BLACK (Ref # 46012)	46012-0090-18R	1
HOLDER-HANDLE,RH,F.S.BLACK (Ref # 46012A)	46012-0091-18R	1
GRIP-ASSY,THROTTLE (Ref # 46019)	46019-0080	1
GRIP,HANDLE,LH (Ref # 46075)	46075-1144	1
LEVER-ASSY-GRIP,CLUTCH (Ref # 46076)	46076-0168	1
HOUSING-ASSY-CONTROL,LH (Ref # 46091)	46091-0535	1
HOUSING-ASSY-CONTROL,RH (Ref # 46091A)	46091-0672	1
LEVER-GRIP,CLUTCH (Ref # 46092)	46092-0577	1
PLUG,9.5X8,POLYETHYLENE (Ref # 92066)	92066-1077	1
COLLAR (Ref # 92143)	92143-1379	1
SPRING (Ref # 92144)	92144-1467	1
BOLT,SOCKET,6X55 (Ref # 92154)	92154-1299	2
BOLT (Ref # 92154A)	92154-2318	1
BOLT,SOCKET,6X16.5 (Ref # 92154B)	92154-2325	2
BOLT,SOCKET,5X25 (Ref # 92154C)	92154-2596	2
BOLT,SOCKET,6X20 (Ref # 92154D)	92154-2644	2
BOLT,5X30 (Ref # 92154E)	92154-3921	2
BOLT,5X50 (Ref # 92154F)	92154-3922	2
BOLT,SOCKET,10X27 (Ref # 92154G)	92154-4042	2
DAMPER,INSIDE (Ref # 92161)	92161-2084	2

## 2025 NINJA® 1100SX ABS PARTS LIST

### Handlebar

ITEM NAME	PART NUMBER	QUANTITY
DAMPER,OUTSIDE (Ref # 92161A)	92161-2085	2
SCREW (Ref # 92172)	92172-1138	1
CLAMP,WEIGHT (Ref # 92173)	92173-1386	2
CLAMP (Ref # 92173A)	92173-2194	1
CLAMP (Ref # 92173B)	92173-2199	2
NUT (Ref # 92210)	92210-1519	1
NUT,LOCK,6MM (Ref # 92210A)	92210-1544	1
BOLT-SOCKET,8X30 (Ref # 120)	120CA0830	2
SCREW-PAN-WSP-CROS (Ref # 236)	236AB0416	1