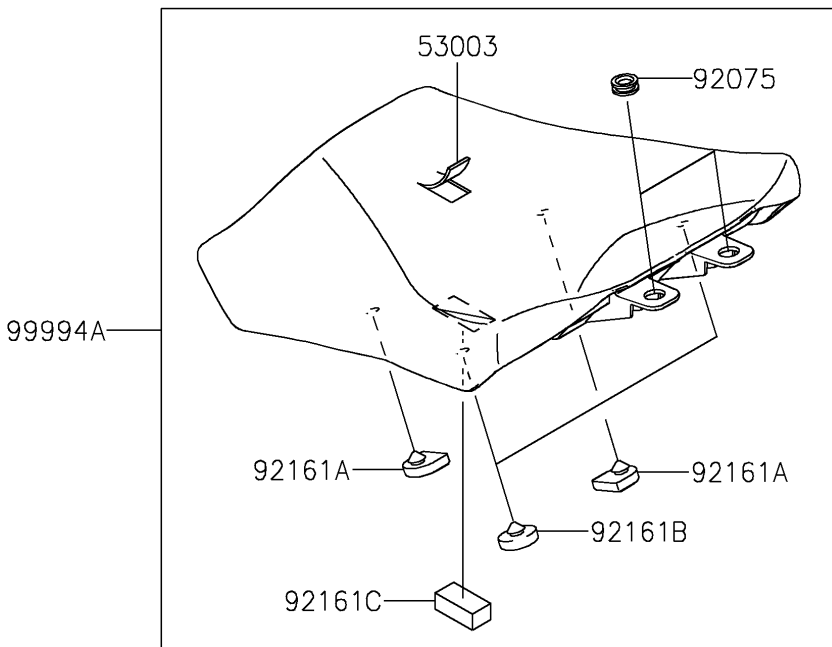
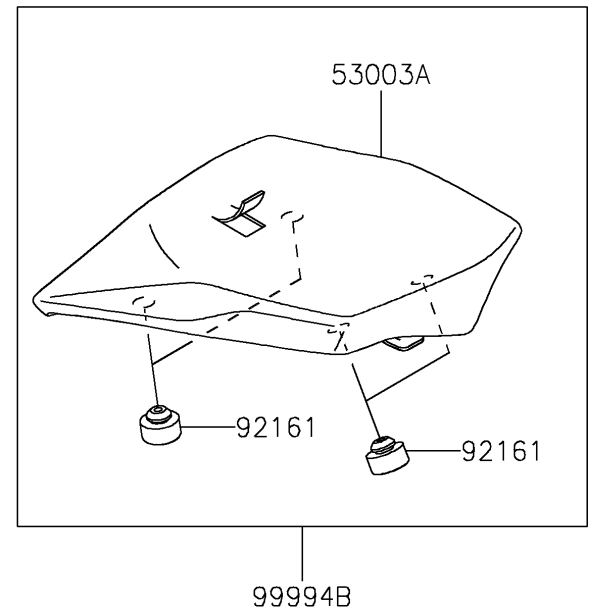
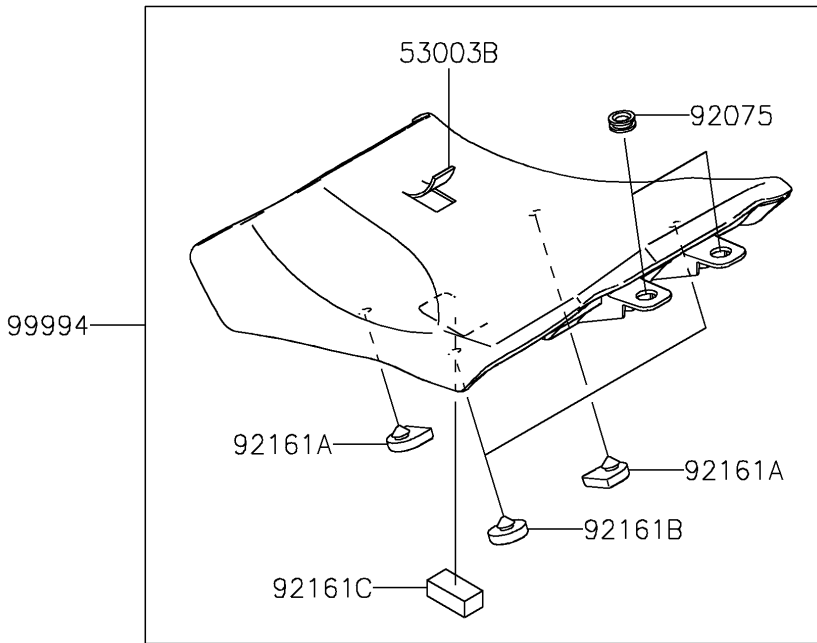


# 2025 NINJA® 1100SX SE ABS PARTS DIAGRAM

Accessory(Seat)

F2910E



## 2025 NINJA® 1100SX SE ABS PARTS LIST

### Accessory(Seat)

ITEM NAME	PART NUMBER	QUANTITY
LEATHER,FR SEAT,BLACK (Ref # 53003)	53003-0524-MA	1
LEATHER,RR SEAT,BLACK (Ref # 53003A)	53003-0525-MA	1
LEATHER,BLACK (Ref # 53003B)	53003-0586-MA	1
DAMPER (Ref # 92075)	92075-1634	2
DAMPER,SEAT (Ref # 92161)	92161-0930	4
DAMPER,FR SEAT,FR (Ref # 92161A)	92161-0954	2
DAMPER,FR SEAT,RR (Ref # 92161B)	92161-0955	2
DAMPER,20X40X15 (Ref # 92161C)	92161-1608	1
KIT-ACCESSORY,LOW SEAT (Ref # 99994)	99994-1576	1
HIGH SEAT(FRONT) (Ref # 99994A)	99994-2060	1
HIGH SEAT(REAR) (Ref # 99994B)	99994-2061	1