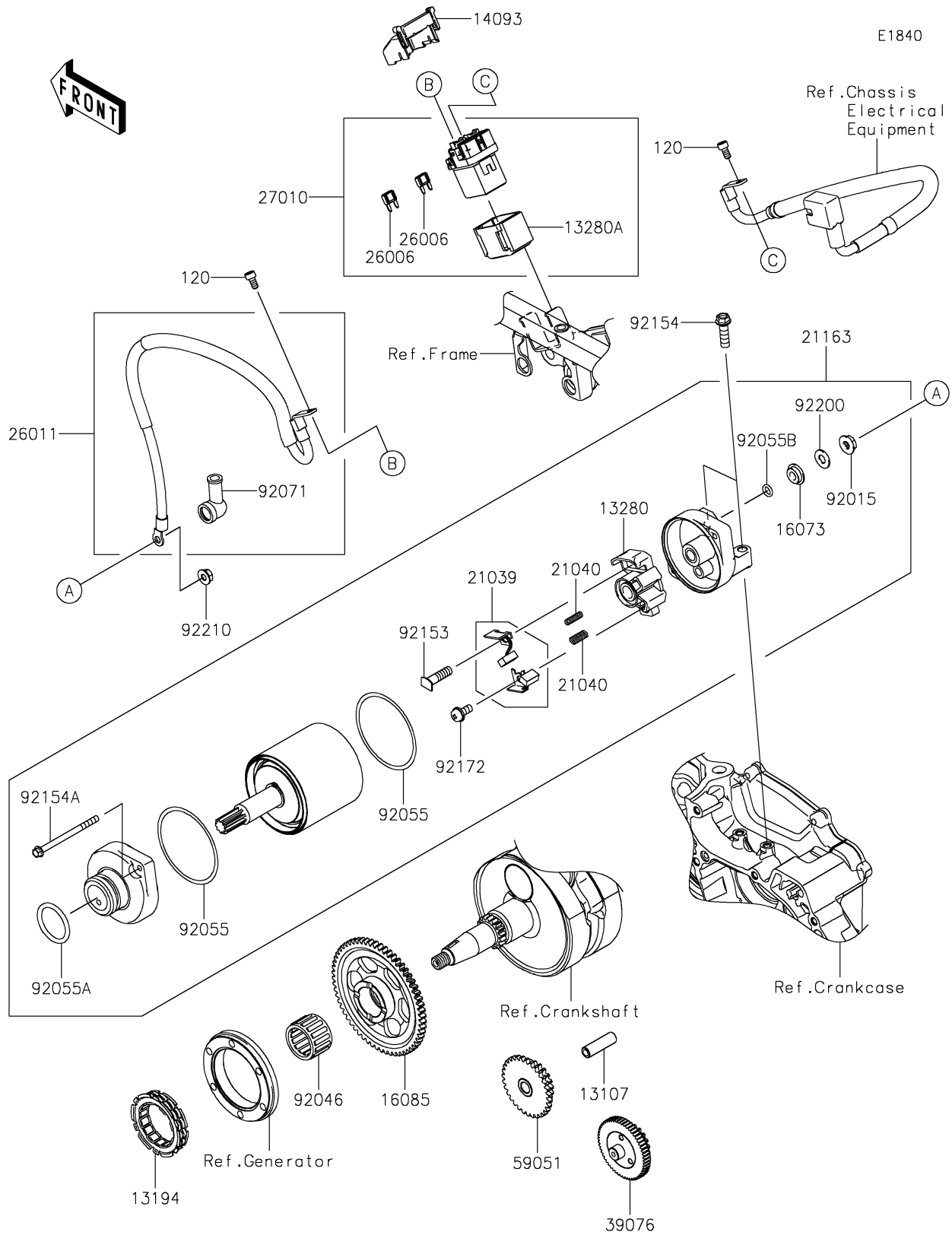


# 2025 KX™ 450SR PARTS DIAGRAM

## Starter Motor



## 2025 KX™ 450SR PARTS LIST

### Starter Motor

| ITEM NAME                             | PART NUMBER | QUANTITY |
|---------------------------------------|-------------|----------|
| SHAFT,IDLER (Ref # 13107)             | 13107-0871  | 1        |
| CLUTCH-ONEWAY (Ref # 13194)           | 13194-1096  | 1        |
| HOLDER (Ref # 13280)                  | 13280-0261  | 1        |
| HOLDER,MAGNETIC SWITCH (Ref # 13280A) | 13280-0814  | 1        |
| COVER,MAGNETIC SWITCH (Ref # 14093)   | 14093-0716  | 1        |
| INSULATOR (Ref # 16073)               | 16073-0053  | 1        |
| GEAR,60T (Ref # 16085)                | 16085-0736  | 1        |
| BRUSH,CARBON SET (Ref # 21039)        | 21039-0005  | 1        |
| SPRING-BRUSH (Ref # 21040)            | 21040-0003  | 2        |
| STARTER-ELECTRIC (Ref # 21163)        | 21163-0771  | 1        |
| FUSE,10A (Ref # 26006)                | 26006-0033  | 2        |
| WIRE-LEAD (Ref # 26011)               | 26011-2438  | 1        |
| SWITCH,MAGNETIC (Ref # 27010)         | 27010-0879  | 1        |
| LIMITER (Ref # 39076)                 | 39076-0037  | 1        |
| GEAR-SPUR,IDLER (Ref # 59051)         | 59051-0809  | 1        |
| NUT,STARTER MOTOR (Ref # 92015)       | 92015-1476  | 1        |
| BEARING-NEEDLE,22X28X16 (Ref # 92046) | 92046-0647  | 1        |
| RING-O (Ref # 92055)                  | 92055-0136  | 2        |
| RING-O (Ref # 92055A)                 | 92055-1276  | 1        |
| RING-O,4.5X2.0 (Ref # 92055B)         | 92055-1370  | 1        |
| GROMMET (Ref # 92071)                 | 92071-0024  | 1        |
| BOLT (Ref # 92153)                    | 92153-1866  | 1        |
| BOLT,FLANGED,6X20 (Ref # 92154)       | 92154-2966  | 2        |
| BOLT (Ref # 92154A)                   | 92154-3958  | 2        |
| SCREW (Ref # 92172)                   | 92172-0334  | 1        |
| WASHER (Ref # 92200)                  | 92200-0386  | 1        |
| NUT,6MM (Ref # 92210)                 | 92210-0188  | 1        |
| BOLT-SOCKET,5X10 (Ref # 120)          | 120CB0510   | 2        |