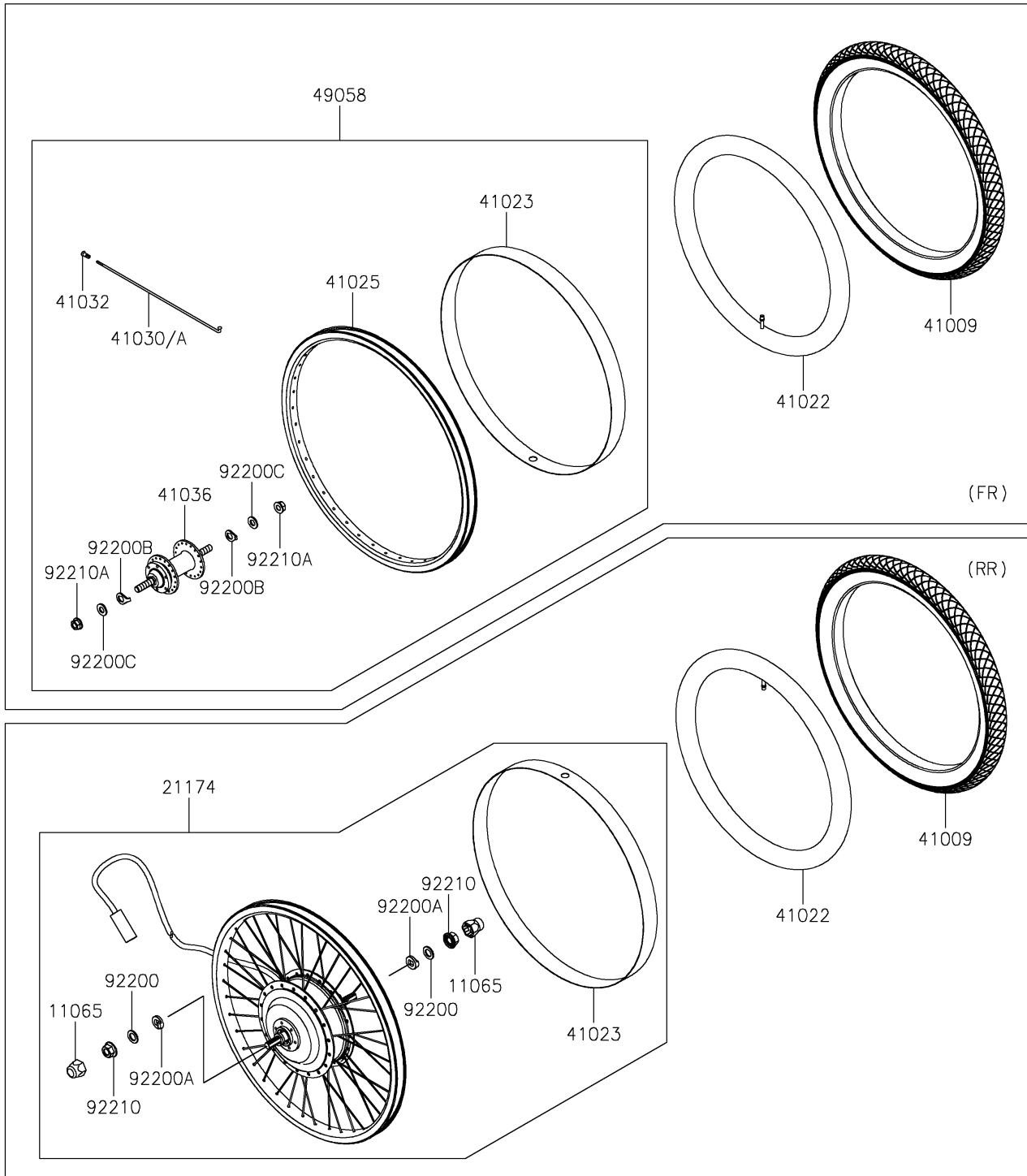


# 2025 ELEKTRODE® 20FS PARTS DIAGRAM

Wheel

F0270



## 2025 ELEKTRODE® 20FS PARTS LIST

### Wheel

ITEM NAME	PART NUMBER	QUANTITY
CAP (Ref # 11065)	11065-1443	2
MOTOR-ELECTRIC,20INCH (Ref # 21174)	21174-0027	1
TIRE,20X1.95,BMX-44(IRC) (Ref # 41009)	41009-0971	2
TUBE-TIRE,20X1.85-2.125 (Ref # 41022)	41022-0157	2
BAND-RIM,FR,20INCH (Ref # 41023)	41023-0062	2
RIM,FR,20X1.95-2.3,BLACK (Ref # 41025)	41025-0462	1
SPOKE-OUTER,FR,183MMX93.3D (Ref # 41030)	41030-0040	18
SPOKE-OUTER,FR,185MMX93.3D (Ref # 41030A)	41030-0041	18
NIPPLE-SPOKE (Ref # 41032)	41032-0039	36
HUB-ASSY,FR (Ref # 41036)	41036-0994	1
WHEEL,FR,20INCH (Ref # 49058)	49058-0799	1
WASHER,OUTER (Ref # 92200)	92200-2581	2
WASHER,INNER,WITH TAB (Ref # 92200A)	92200-2582	2
WASHER,SAFETY HOOK (Ref # 92200B)	92200-2730	2
WASHER,10.5X20X2 (Ref # 92200C)	92200-2731	2
NUT (Ref # 92210)	92210-1938	2
NUT,FLANGED,10MM (Ref # 92210A)	92210-2239	2