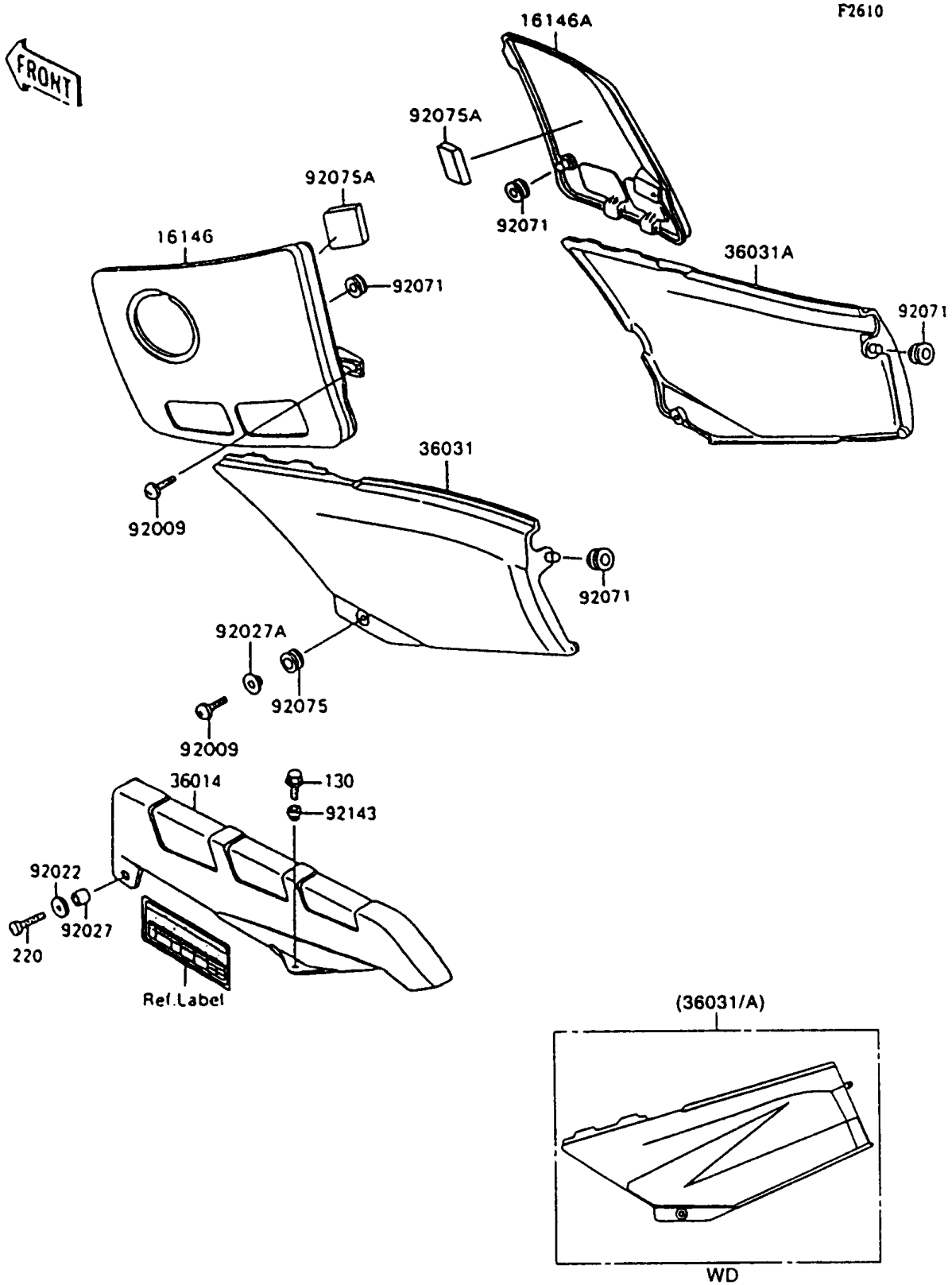


# 1997 Ninja® 600R PARTS DIAGRAM

Side Covers/Chain Cover



# 1997 Ninja® 600R PARTS LIST

## Side Covers/Chain Cover

| ITEM NAME                                   | PART NUMBER   | QUANTITY |
|---|---------------|----------|
| COVER-ASSY,KNEEGRIP,LH,BLACK (Ref # 16146)  | 16146-1079-MA | 1        |
| COVER-ASSY,KNEEGRIP,RH,BLACK (Ref # 16146A) | 16146-1080-MA | 1        |
| CASE-CHAIN (Ref # 36014)                    | 36014-1145    | 1        |
| COVER-SIDE,LH,F.RED (Ref # 36031)           | 36031-5133-B1 | 1        |
| COVER-SIDE,RH,F.RED (Ref # 36031A)          | 36031-5134-B1 | 1        |
| SCREW,6X18,BLACK (Ref # 92009)              | 92009-1181    | 4        |
| WASHER,6.5X20X1.6,BLACK (Ref # 92022)       | 92022-1346    | 1        |
| COLLAR,6.8X10X16 (Ref # 92027)              | 92027-169     | 1        |
| COLLAR,L=9.1,BLACK (Ref # 92027A)           | 92027-1935    | 2        |
| GROMMET (Ref # 92071)                       | 92071-056     | 4        |
| DAMPER (Ref # 92075)                        | 92075-1634    | 2        |
| DAMPER,50X50X10 (Ref # 92075A)              | 92075-1979    | 2        |
| COLLAR,L=6.6 (Ref # 92143)                  | 92143-1088    | 1        |
| BOLT-FLANGED,6X14,BLACK (Ref # 130)         | 130J0614      | 1        |
| SCREW-PAN-CROS,6X30,BLACK (Ref # 220)       | 220C0630      | 1        |