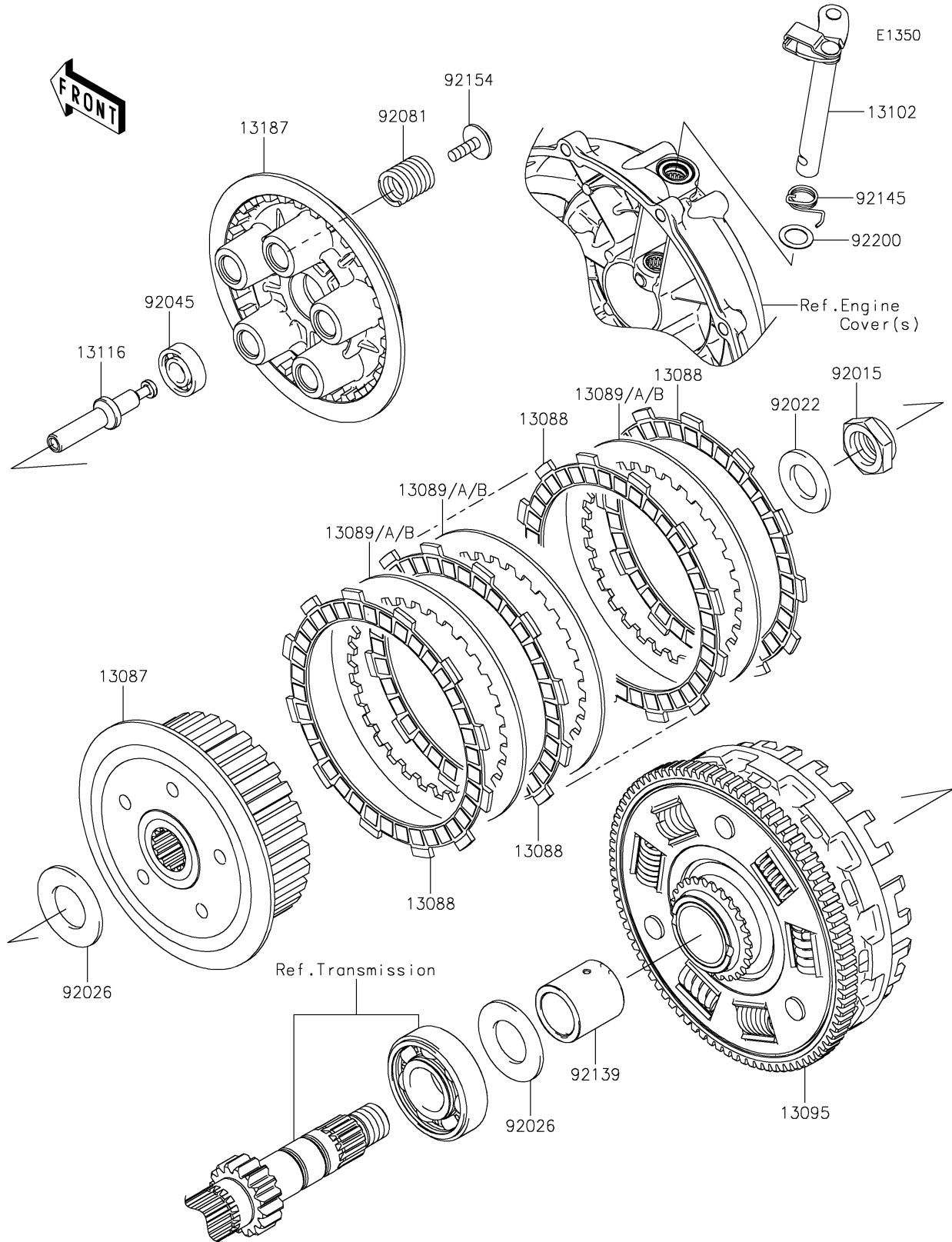


# 2025 Vulcan S PARTS DIAGRAM

## Clutch



## 2025 Vulcan S PARTS LIST

### Clutch

| ITEM NAME                             | PART NUMBER | QUANTITY |
|---------------------------------------|-------------|----------|
| HUB-CLUTCH (Ref # 13087)              | 13087-0046  | 1        |
| PLATE-FRICTION (Ref # 13088)          | 13088-1105  | 7        |
| PLATE-CLUTCH,T=2.3 (Ref # 13089)      | 13089-0016  | 6        |
| PLATE-CLUTCH,T=2.6 (Ref # 13089A)     | 13089-0017  | AR       |
| PLATE-CLUTCH,T=2.0 (Ref # 13089B)     | 13089-026   | AR       |
| HOUSING-COMP-CLUTCH (Ref # 13095)     | 13095-0559  | 1        |
| RELEASE-COMP-CLUTCH (Ref # 13102)     | 13102-0037  | 1        |
| ROD-PUSH (Ref # 13116)                | 13116-0035  | 1        |
| PLATE-CLUTCH OPERATING (Ref # 13187)  | 13187-0017  | 1        |
| NUT,20MM (Ref # 92015)                | 92015-1555  | 1        |
| WASHER,20.3X36X3.7 (Ref # 92022)      | 92022-1868  | 1        |
| SPACER,25.5X47X2.5 (Ref # 92026)      | 92026-0716  | 2        |
| BEARING-BALL,6001C3ML01 (Ref # 92045) | 92045-1235  | 1        |
| SPRING,CLUTCH (Ref # 92081)           | 92081-1033  | 5        |
| BUSHING (Ref # 92139)                 | 92139-0710  | 1        |
| SPRING,CLUTCH RELEASE (Ref # 92145)   | 92145-0897  | 1        |
| BOLT,UPSET-WP,6X20 (Ref # 92154)      | 92154-0079  | 5        |
| WASHER,12X18.5X0.5 (Ref # 92200)      | 92200-1487  | 1        |