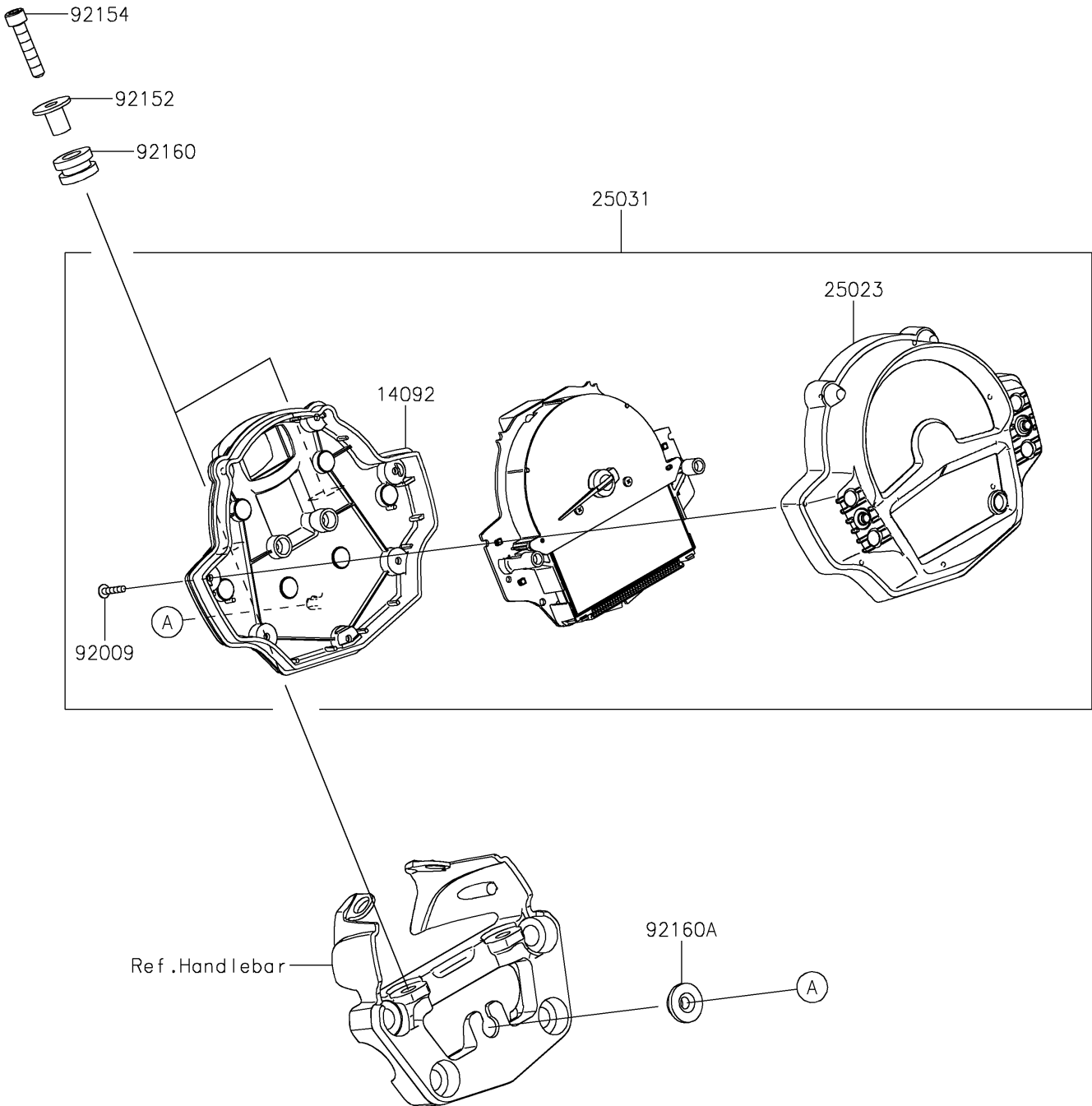


2025 Vulcan S PARTS DIAGRAM

Meter(s)

F2530



2025 Vulcan S PARTS LIST

Meter(s)

| ITEM NAME | PART NUMBER | QUANTITY |
|--|-------------|----------|
| COVER,METER (Ref # 14092) | 14092-0865 | 1 |
| COVER-METER CASE (Ref # 25023) | 25023-0155 | 1 |
| METER-ASSY,COMBINATION,ABS (Ref # 25031) | 25031-1349 | 1 |
| SCREW,TAPPING,3X16 (Ref # 92009) | 92009-1391 | 9 |
| COLLAR,6.3X9.5X13.5 (Ref # 92152) | 92152-1942 | 2 |
| BOLT,SOCKET,6X30 (Ref # 92154) | 92154-0962 | 2 |
| DAMPER,10X20X12 (Ref # 92160) | 92160-1167 | 2 |
| DAMPER (Ref # 92160A) | 92160-1613 | 1 |