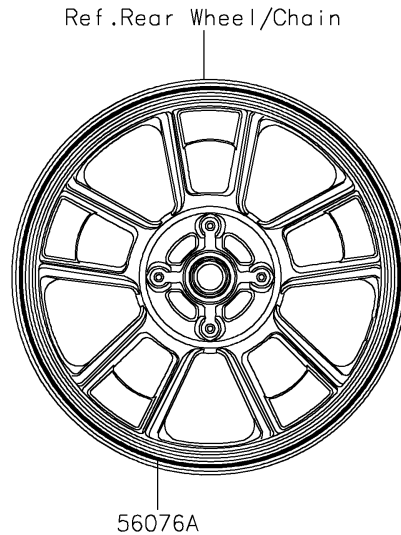
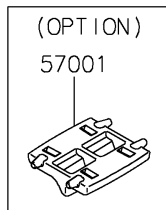
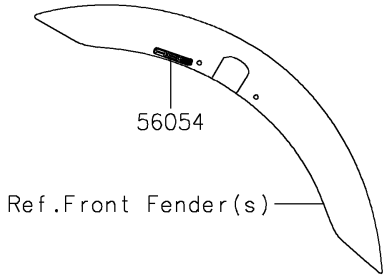
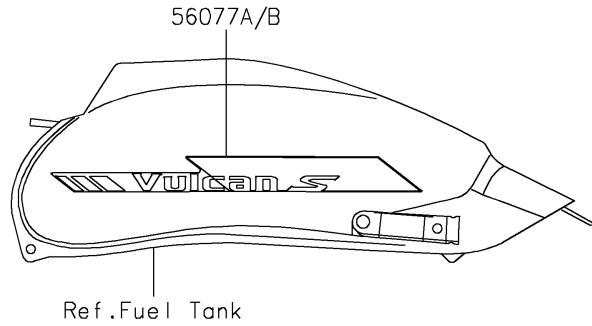
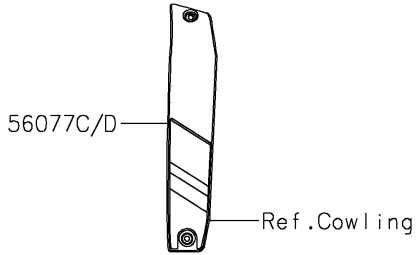
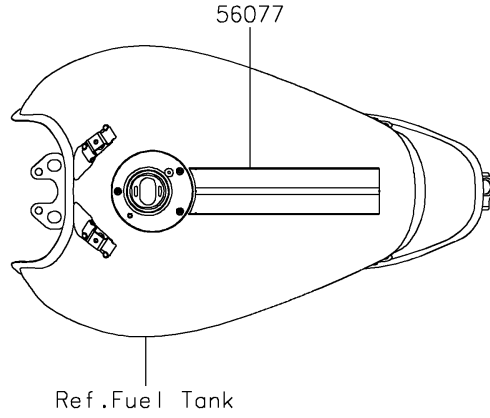
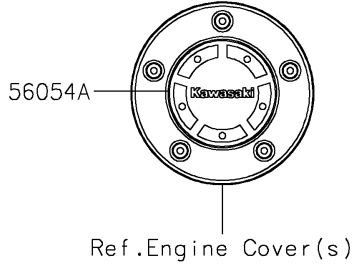


2024 VULCAN® S ABS PARTS DIAGRAM

Decals(Khaki)(DRFAN/DRFAL)

F2861A



2024 VULCAN® S ABS PARTS LIST

Decals(Khaki)(DRFAN/DRFAL)

| ITEM NAME | PART NUMBER | QUANTITY |
|---|-------------|----------|
| MARK,ABS (Ref # 56054) | 56054-1412 | 2 |
| MARK,CLUTCH COVER,KAWASAKI (Ref # 56054A) | 56054-1728 | 1 |
| PATTERN,FR WHEEL,GOLD,6X1496 (Ref # 56076) | 56076-7667 | 2 |
| PATTERN,RR WHEEL,GOLD,6X1424 (Ref # 56076A) | 56076-7668 | 2 |
| PATTERN,FUEL TANK,UPP (Ref # 56077) | 56077-1061 | 1 |
| PATTERN,FUEL TANK,LH (Ref # 56077A) | 56077-1062 | 1 |
| PATTERN,FUEL TANK,RH (Ref # 56077B) | 56077-1063 | 1 |
| PATTERN,SHROUD COVER,LH (Ref # 56077C) | 56077-1064 | 1 |
| PATTERN,SHROUD COVER,RH (Ref # 56077D) | 56077-1065 | 1 |
| RIM STRIPE APPLICATOR (Ref # 57001) | 57001-1752 | AR |