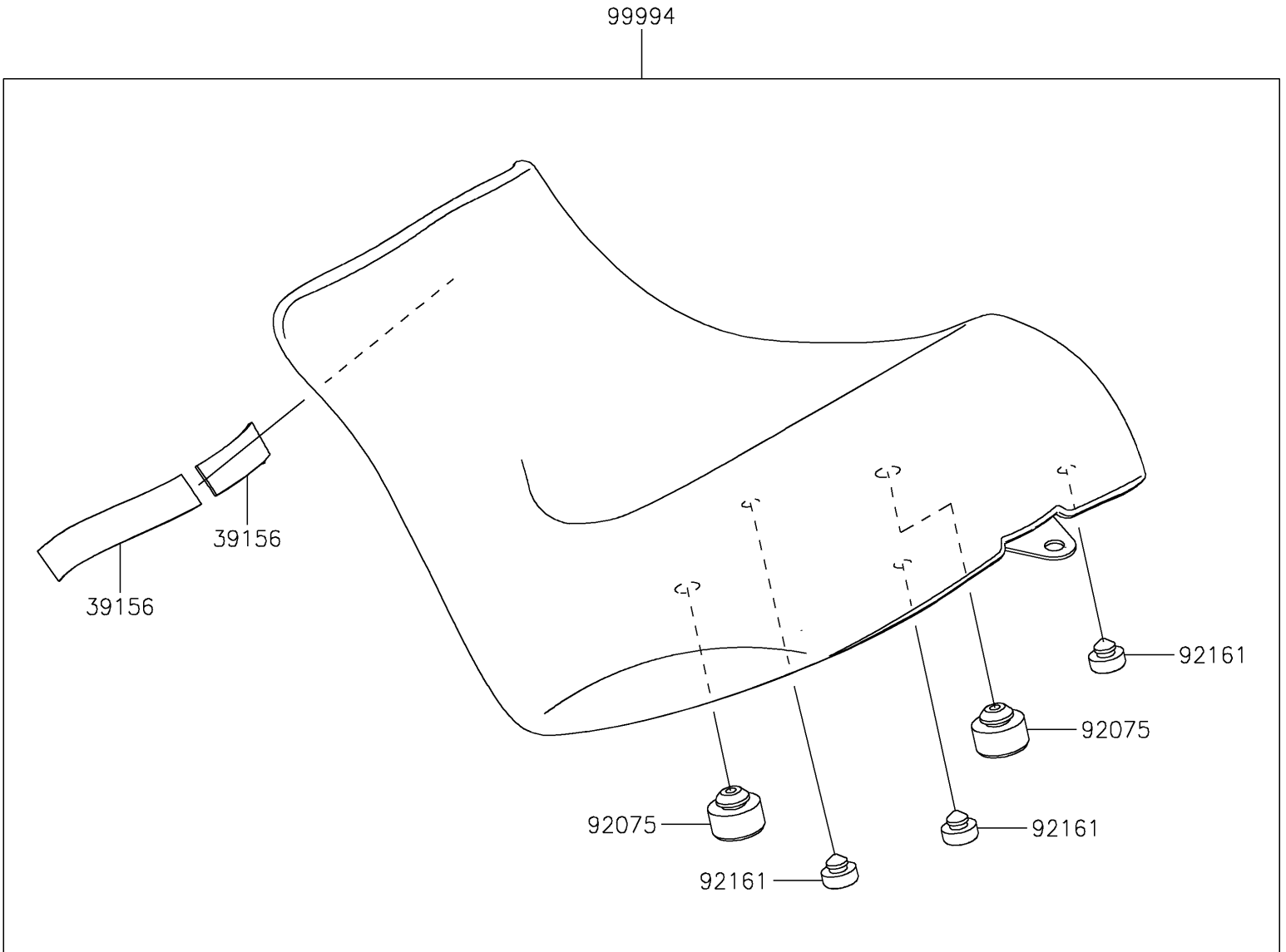


# 2025 Vulcan S PARTS DIAGRAM

Accessory(Reduced Reach Seat)

F2910E



## 2025 Vulcan S PARTS LIST

Accessory(Reduced Reach Seat)

ITEM NAME	PART NUMBER	QUANTITY
PAD,20X100X2 (Ref # 39156)	39156-1934	2
DAMPER (Ref # 92075)	92075-015	2
DAMPER,10X20X8 (Ref # 92161)	92161-0855	3
KIT-ACC,REDUCED REACH SEAT,FR (Ref # 99994)	99994-1559	1