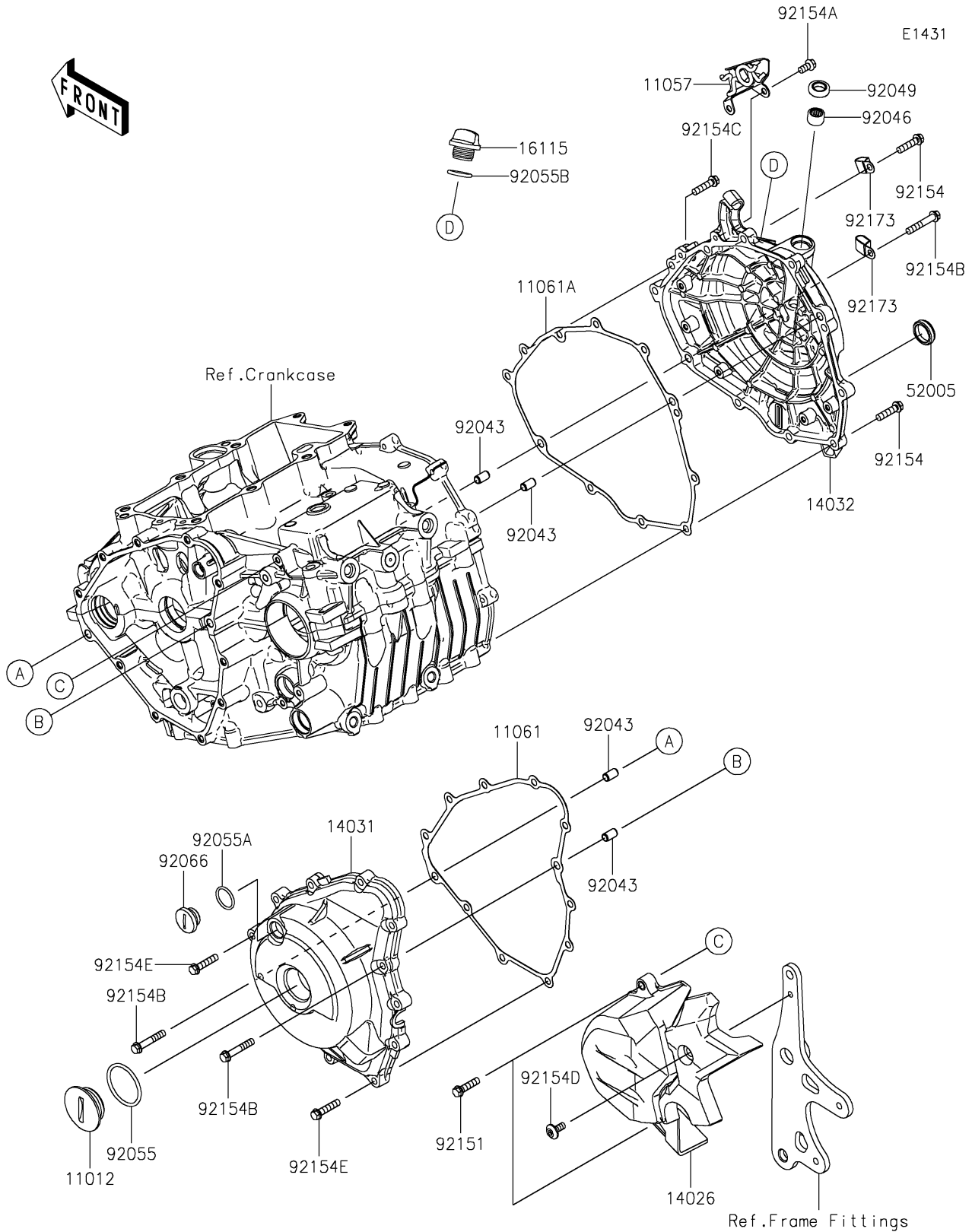


2024 Z500 PARTS DIAGRAM

Engine Cover(s)



2024 Z500 PARTS LIST

Engine Cover(s)

| ITEM NAME | PART NUMBER | QUANTITY |
|---------------------------------------|-------------|----------|
| CAP (Ref # 11012) | 11012-1362 | 1 |
| BRACKET (Ref # 11057) | 11057-1231 | 1 |
| GASKET,GENERATOR COVER (Ref # 11061) | 11061-1252 | 1 |
| GASKET,CLUTCH COVER (Ref # 11061A) | 11061-1253 | 1 |
| COVER-CHAIN (Ref # 14026) | 14026-0141 | 1 |
| COVER-GENERATOR (Ref # 14031) | 14031-0618 | 1 |
| COVER-CLUTCH (Ref # 14032) | 14032-0656 | 1 |
| CAP-OIL FILLER (Ref # 16115) | 16115-1053 | 1 |
| GAUGE,OIL LEVEL (Ref # 52005) | 52005-1009 | 1 |
| PIN,6.2X8X14 (Ref # 92043) | 92043-1263 | 4 |
| BEARING-NEEDLE,HK1210FM (Ref # 92046) | 92046-0034 | 1 |
| SEAL-OIL (Ref # 92049) | 92049-1560 | 1 |
| RING-O,39.4X3.1 (Ref # 92055) | 92055-0734 | 1 |
| RING-O,20X2 (Ref # 92055A) | 92055-1146 | 1 |
| RING-O (Ref # 92055B) | 92055-1777 | 1 |
| PLUG (Ref # 92066) | 92066-0748 | 1 |
| BOLT,FLANGED-SMALL,6X25 (Ref # 92151) | 92151-1930 | 2 |
| BOLT,FLANGED,6X25 (Ref # 92154) | 92154-0819 | 9 |
| BOLT,FLANGED,6X12 (Ref # 92154A) | 92154-1777 | 2 |
| BOLT,FLANGED,6X35 (Ref # 92154B) | 92154-1779 | 3 |
| BOLT,FLANGED,6X25 (Ref # 92154C) | 92154-2734 | 1 |
| BOLT,SOCKET,6X14 (Ref # 92154D) | 92154-2735 | 1 |
| BOLT,FLANGED,6X28 (Ref # 92154E) | 92154-2788 | 10 |
| CLAMP (Ref # 92173) | 92173-1828 | 2 |