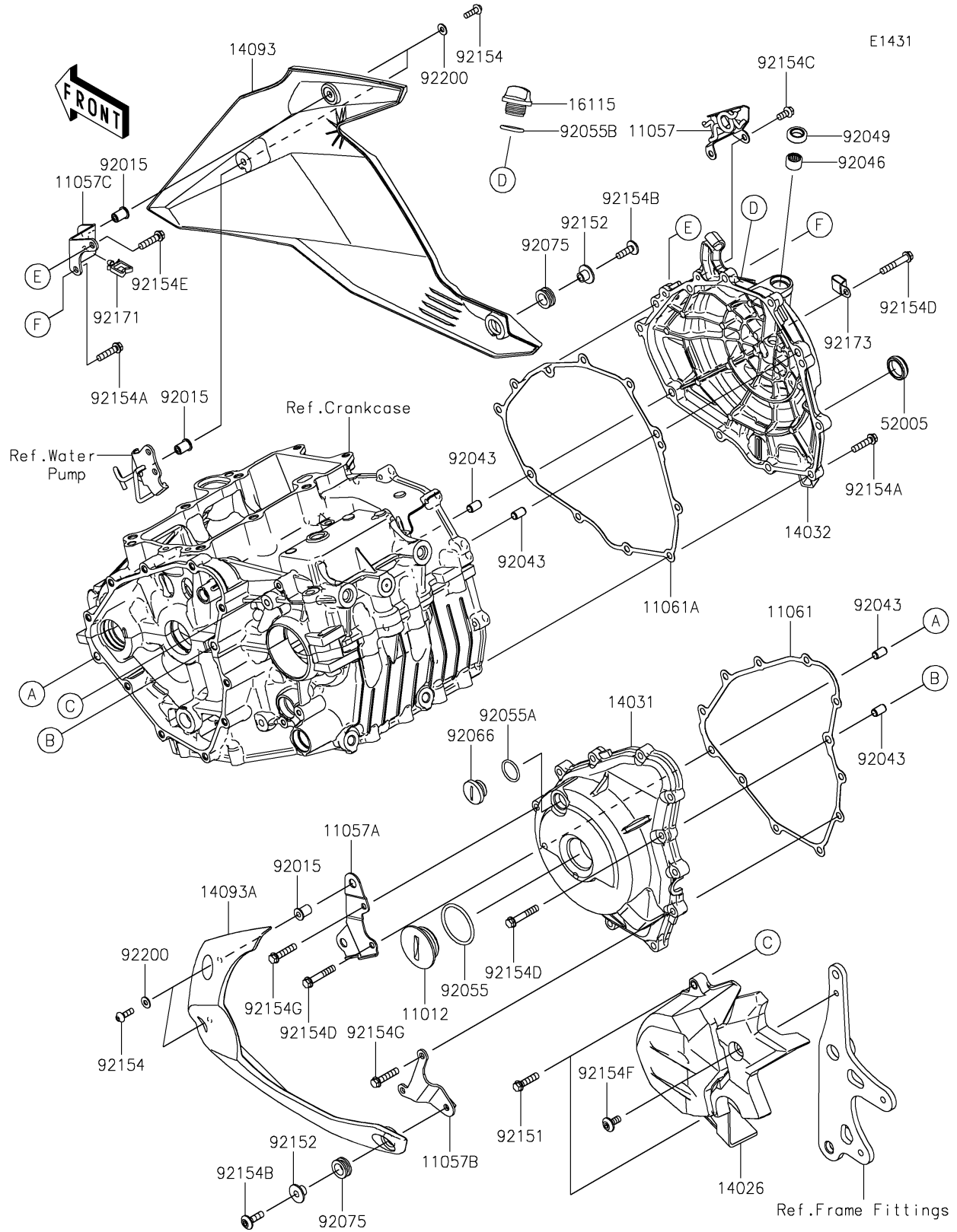


2025 Z500 SE PARTS DIAGRAM

Engine Cover(s)



2025 Z500 SE PARTS LIST

Engine Cover(s)

ITEM NAME	PART NUMBER	QUANTITY
CAP (Ref # 11012)	11012-1362	1
BRACKET (Ref # 11057)	11057-1231	1
BRACKET,LH,FR (Ref # 11057A)	11057-1831	1
BRACKET,LH,RR (Ref # 11057B)	11057-1832	1
BRACKET,RH,UPP (Ref # 11057C)	11057-1833	1
GASKET,GENERATOR COVER (Ref # 11061)	11061-1252	1
GASKET,CLUTCH COVER (Ref # 11061A)	11061-1253	1
COVER-CHAIN (Ref # 14026)	14026-0141	1
COVER-GENERATOR (Ref # 14031)	14031-0618	1
COVER-CLUTCH (Ref # 14032)	14032-0656	1
COVER,LWR,RH,M.M.G.GRAY (Ref # 14093)	14093-0768-68P	1
COVER,LWR,LH,M.M.G.GRAY (Ref # 14093A)	14093-0981-68P	1
CAP-OIL FILLER (Ref # 16115)	16115-1053	1
GAUGE,OIL LEVEL (Ref # 52005)	52005-1009	1
NUT,WELL,5MM (Ref # 92015)	92015-1757	4
PIN,6.2X8X14 (Ref # 92043)	92043-1263	4
BEARING-NEEDLE,HK1210FM (Ref # 92046)	92046-0034	1
SEAL-OIL (Ref # 92049)	92049-1560	1
RING-O,39.4X3.1 (Ref # 92055)	92055-0734	1
RING-O,20X2 (Ref # 92055A)	92055-1146	1
RING-O (Ref # 92055B)	92055-1777	1
PLUG (Ref # 92066)	92066-0748	1
DAMPER (Ref # 92075)	92075-1634	2
BOLT,FLANGED-SMALL,6X25 (Ref # 92151)	92151-1930	2
COLLAR,6.8X20X9.6 (Ref # 92152)	92152-2908	2
BOLT,SOCKET,5X16 (Ref # 92154)	92154-0209	4
BOLT,FLANGED,6X25 (Ref # 92154A)	92154-0819	9
BOLT,SOCKET,6X20 (Ref # 92154B)	92154-0918	2
BOLT,FLANGED,6X12 (Ref # 92154C)	92154-1777	2

2025 Z500 SE PARTS LIST

Engine Cover(s)

ITEM NAME	PART NUMBER	QUANTITY
BOLT,FLANGED,6X35 (Ref # 92154D)	92154-1779	3
BOLT,FLANGED,6X25 (Ref # 92154E)	92154-2734	1
BOLT,SOCKET,6X14 (Ref # 92154F)	92154-2735	1
BOLT,FLANGED,6X28 (Ref # 92154G)	92154-2788	10
CLAMP (Ref # 92171)	92171-0290	1
CLAMP (Ref # 92173)	92173-1828	1
WASHER,5.2X12X1.0 (Ref # 92200)	92200-0784	4