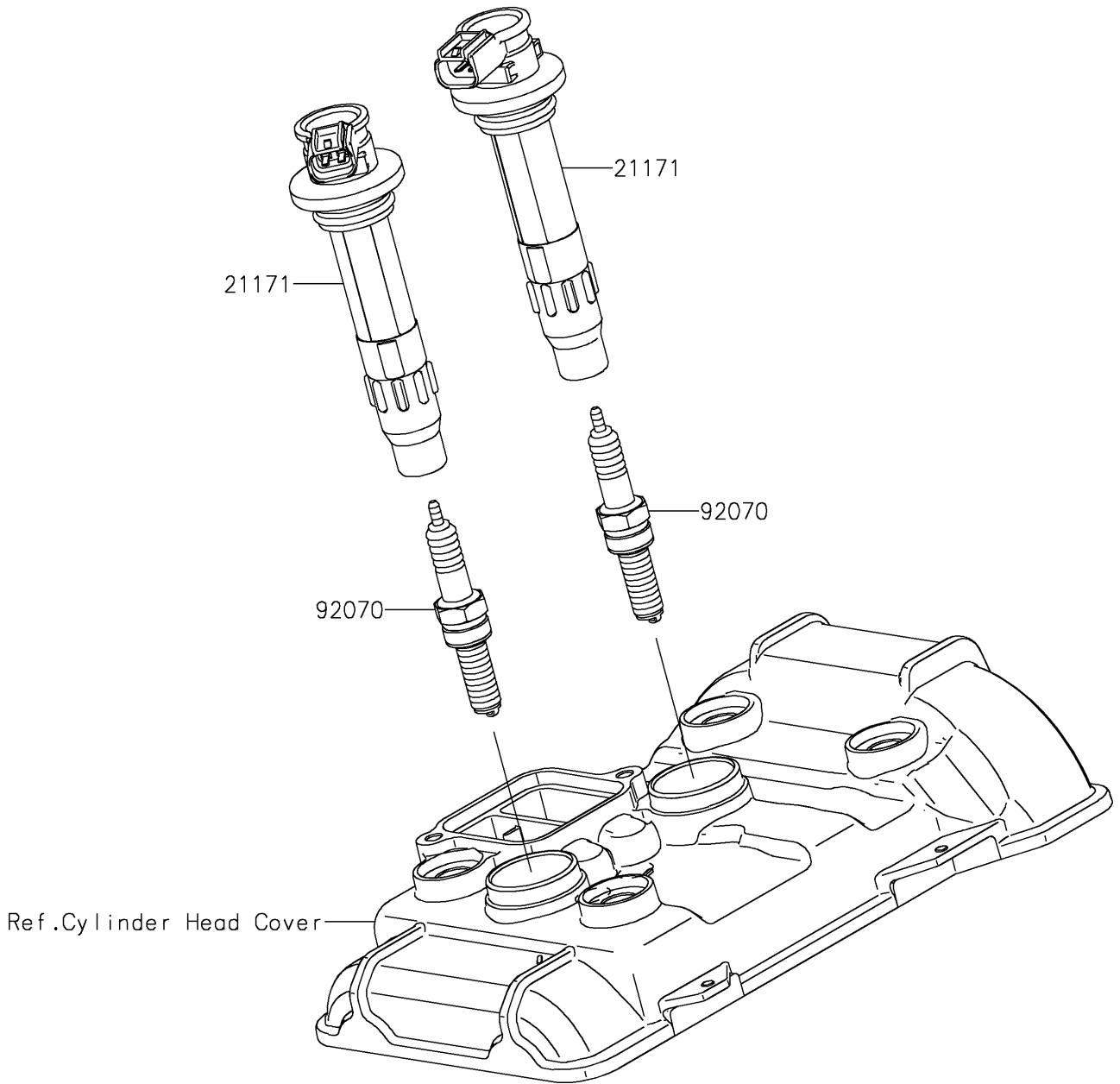


# 2025 Z500 SE PARTS DIAGRAM

Ignition System

E1830



## 2025 Z500 SE PARTS LIST

### Ignition System

ITEM NAME	PART NUMBER	QUANTITY
COIL-ASSY-IGNITION (Ref # 21171)	21171-0751	2
PLUG-SPARK,LMAR9G(NGK) (Ref # 92070)	92070-0716	2