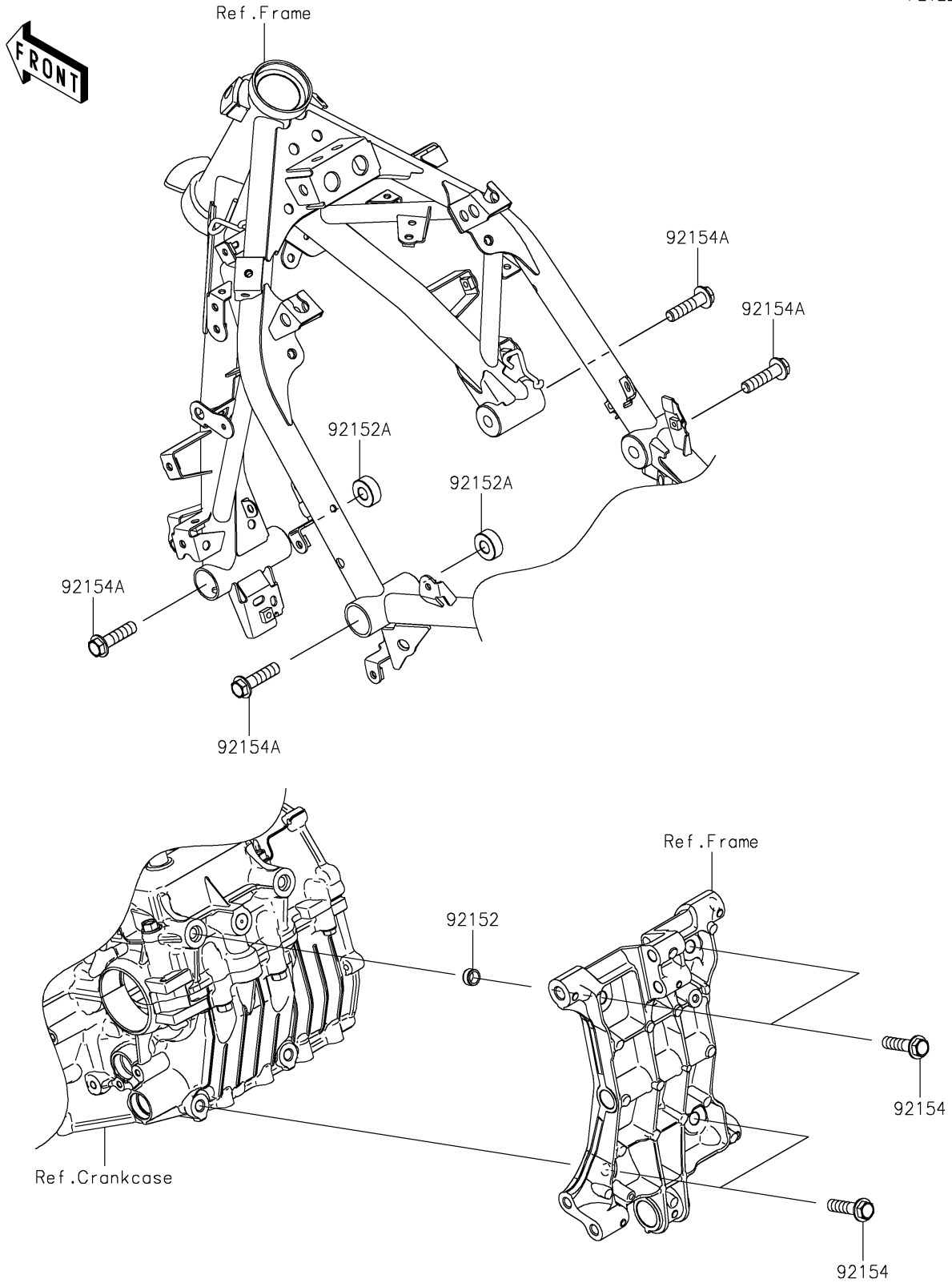


# 2024 Z500 SE PARTS DIAGRAM

## Engine Mount

F2122



## 2024 Z500 SE PARTS LIST

### Engine Mount

ITEM NAME	PART NUMBER	QUANTITY
COLLAR,DOWEL PIN (Ref # 92152)	92152-0679	2
COLLAR,11X25X10 (Ref # 92152A)	92152-2397	2
BOLT,FLANGED,10X40 (Ref # 92154)	92154-2812	4
BOLT,FLANGED,10X40 (Ref # 92154A)	92154-7451	4