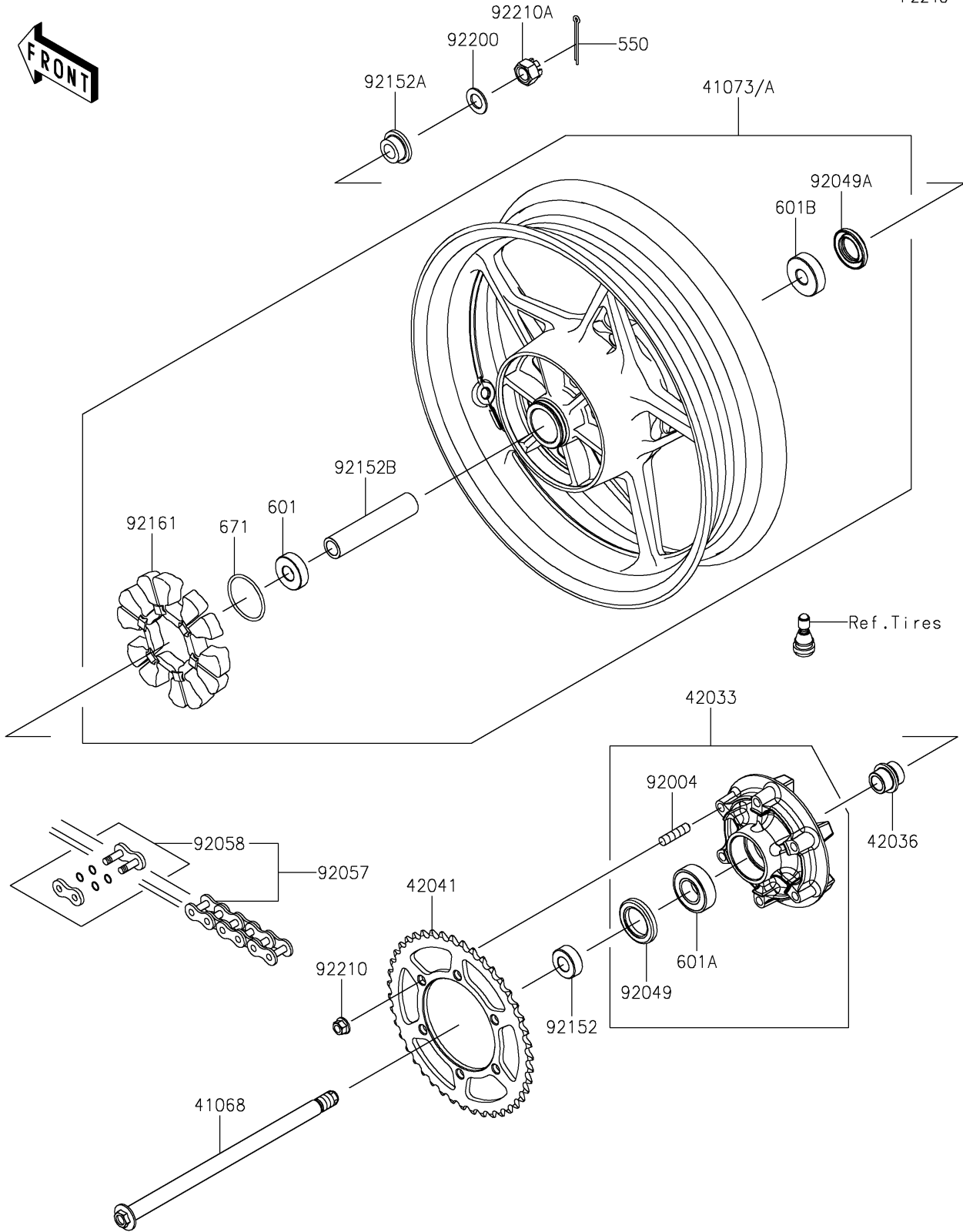


2024 Z500 SE PARTS DIAGRAM

Rear Wheel/Chain

F2240



2024 Z500 SE PARTS LIST

Rear Wheel/Chain

| ITEM NAME | PART NUMBER | QUANTITY |
|--|----------------|----------|
| AXLE,RR (Ref # 41068) | 41068-0644 | 1 |
| WHEEL-ASSY,RR,G.B.GREEN (Ref # 41073) | 41073-0753-46Y | 1 |
| COUPLING-ASSY,RR HUB (Ref # 42033) | 42033-0574 | 1 |
| SLEEVE,RR HUB,L=30 (Ref # 42036) | 42036-1055 | 1 |
| SPROCKET-HUB,43T (Ref # 42041) | 42041-0193 | 1 |
| STUD,10X19 (Ref # 92004) | 92004-0048 | 6 |
| SEAL-OIL,35X52X7 (Ref # 92049) | 92049-0730 | 1 |
| SEAL-OIL,27X47X7 (Ref # 92049A) | 92049-0802 | 1 |
| CHAIN,DRIVE,EK520LVOX108L (Ref # 92057) | 92057-0910 | 1 |
| JOINT-CHAIN,DRIVE (Ref # 92058) | 92058-1100 | 1 |
| COLLAR,17X35X13 (Ref # 92152) | 92152-0843 | 1 |
| COLLAR,17X28(38)X15 (Ref # 92152A) | 92152-0844 | 1 |
| COLLAR,17.2X25X121 (Ref # 92152B) | 92152-2387 | 1 |
| DAMPER,RR HUB SHOCK (Ref # 92161) | 92161-0700 | 1 |
| WASHER,17.3X30X2 (Ref # 92200) | 92200-1916 | 1 |
| NUT,LOCK,FLANGED,10MM (Ref # 92210) | 92210-1139 | 6 |
| NUT,CASTLE,16X19 (Ref # 92210A) | 92210-1585 | 1 |
| PIN-COTTER,4.0X35 (Ref # 550) | 550AA4035 | 1 |
| BEARING-BALL,#6203UUC3 (Ref # 601) | 601B6203UU | 1 |
| BEARING-BALL,#6205G (Ref # 601A) | 601B6205G | 1 |
| BEARING-BALL,6303LLUC3/2ASU68 (Ref # 601B) | 601B6303UU | 1 |
| O RING,50MM (Ref # 671) | 671B2550 | 1 |