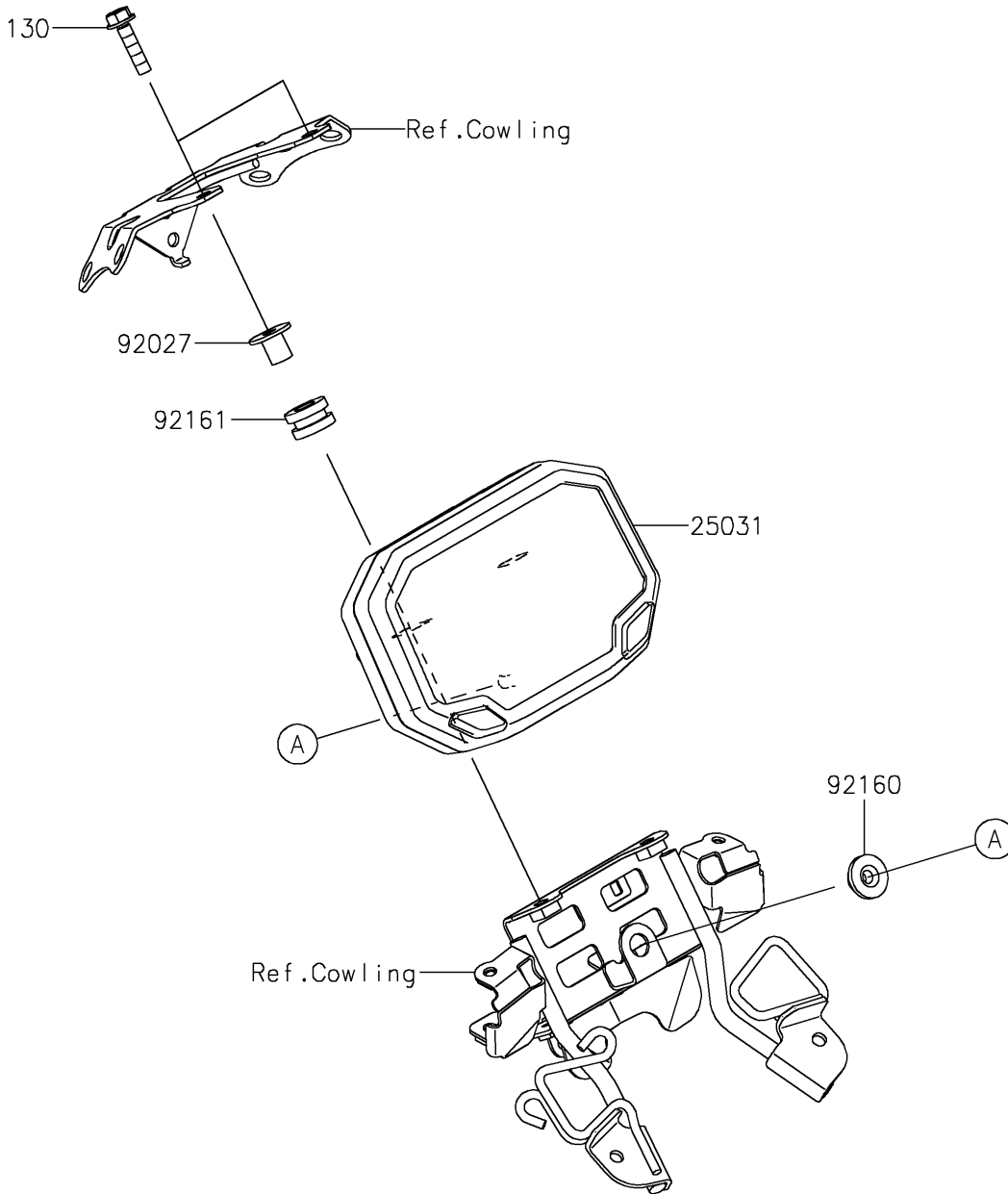


# 2025 Z500 SE ABS PARTS DIAGRAM

Meter(s)

F2530



## 2025 Z500 SE ABS PARTS LIST

Meter(s)

ITEM NAME	PART NUMBER	QUANTITY
METER-ASSY,TFT DISPLAY (Ref # 25031)	25031-1369	1
COLLAR,6.5X10X14.1 (Ref # 92027)	92027-1183	2
DAMPER (Ref # 92160)	92160-1613	1
DAMPER,10X20X12 (Ref # 92161)	92161-2102	2
BOLT-FLANGED,6X25 (Ref # 130)	130BB0625	2