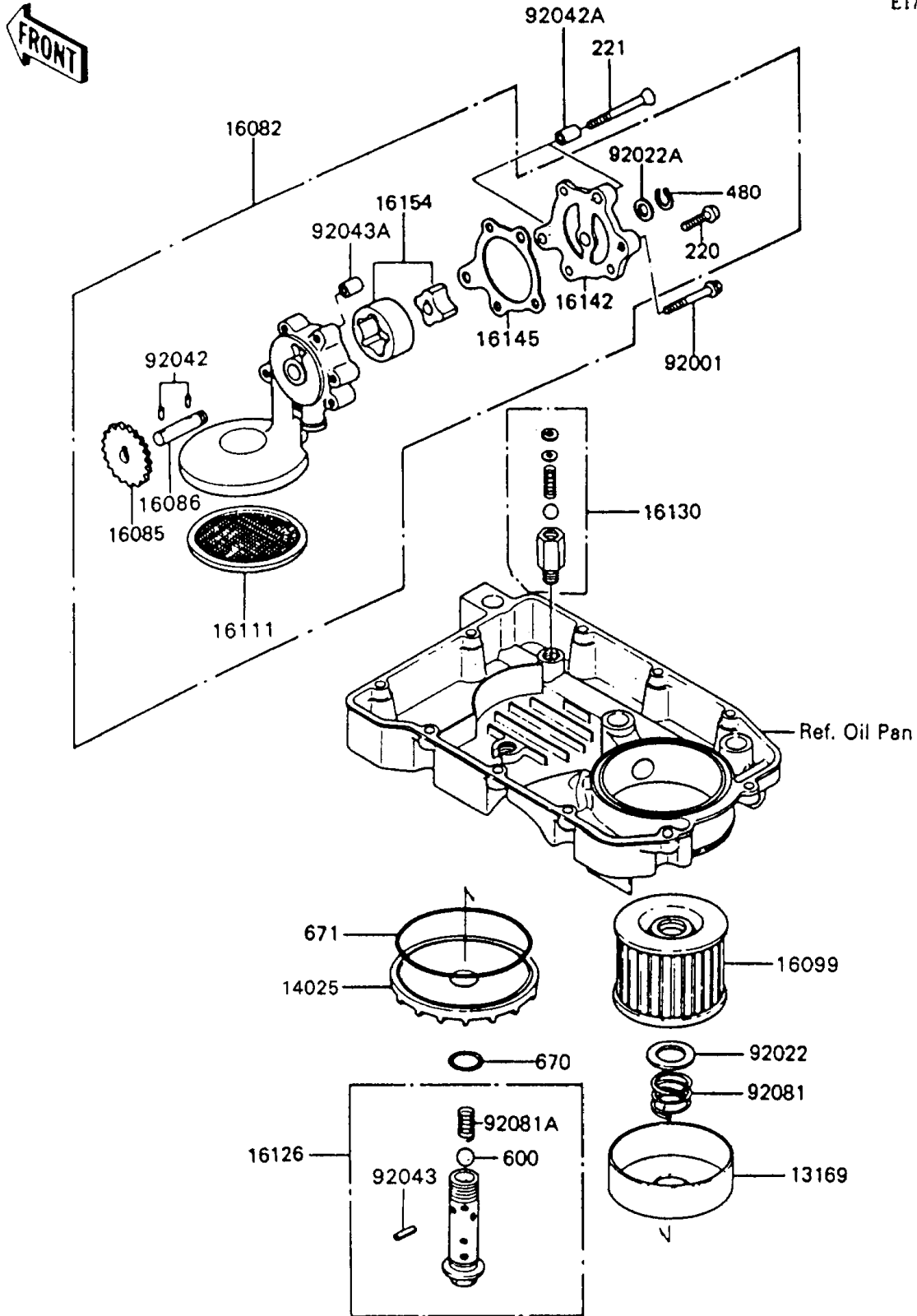


1992 Ninja® 600R PARTS DIAGRAM

Oil Pump/Oil Filter

E1710-0039



1992 Ninja® 600R PARTS LIST

Oil Pump/Oil Filter

| ITEM NAME | PART NUMBER | QUANTITY |
|--|-------------|----------|
| PLATE,OIL FILTER (Ref # 13169) | 13169-1110 | 1 |
| COVER,OIL FILTER,F.BLACK (Ref # 14025) | 14025-1422 | 1 |
| PUMP-ASSY-OIL (Ref # 16082) | 16082-064 | 1 |
| GEAR,OIL PUMP,57T (Ref # 16085) | 16085-025 | 1 |
| SHAFT,OIL PUMP (Ref # 16086) | 16086-004 | 1 |
| ELEMENT-OIL FILTER (Ref # 16099) | 16099-003 | 1 |
| FILTER,OIL PUMP (Ref # 16111) | 16111-004 | 1 |
| VALVE,OIL FILTER (Ref # 16126) | 16126-1108 | 1 |
| VALVE-ASSY-RELIEF (Ref # 16130) | 16130-1001 | 1 |
| COVER-PUMP (Ref # 16142) | 16142-005 | 1 |
| GASKET,OIL PUMP COVER (Ref # 16145) | 16145-004 | 1 |
| ROTOR-PUMP (Ref # 16154) | 16154-003 | 1 |
| BOLT,FLANGED,6X45 (Ref # 92001) | 92001-165 | 1 |
| WASHER,20.5X30X1 (Ref # 92022) | 92022-1012 | 1 |
| WASHER,11.2X15X1 (Ref # 92022A) | 92022-311 | 1 |
| PIN,DOWEL,4X12.8 (Ref # 92042) | 92042-041 | 2 |
| PIN,DOWEL,8X28 (Ref # 92042A) | 92042-050 | 2 |
| PIN,SPRING,2X20 (Ref # 92043) | 92043-111 | 1 |
| PIN,DOWEL,8X10 (Ref # 92043A) | 92043-1302 | 1 |
| SPRING,OIL FILTER (Ref # 92081) | 92081-1018 | 1 |
| SPRING (Ref # 92081A) | 92081-109 | 1 |
| SCREW-PAN-CROS,6X18 (Ref # 220) | 220B0618 | 3 |
| SCREW-CSK-CROS,6X55 (Ref # 221) | 221B0655 | 2 |
| CIRCLIP-TYPE-C,11MM (Ref # 480) | 480J1100 | 1 |
| BALL-STEEL,3/8" (Ref # 600) | 600A1200 | 1 |
| O RING,16MM (Ref # 670) | 670B2016 | 1 |
| O RING,90MM (Ref # 671) | 671B2590 | 1 |