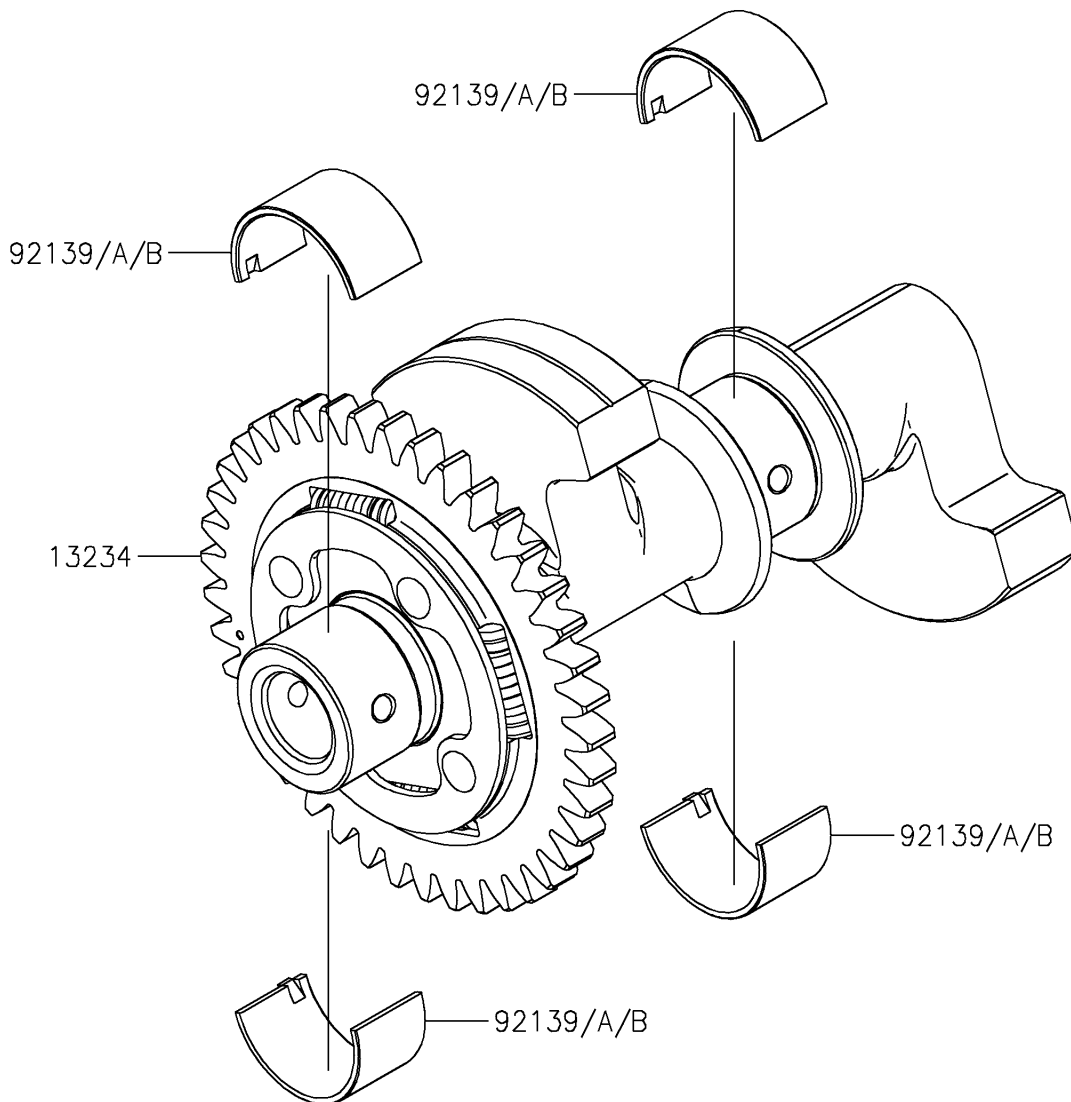


2024 NINJA® 500 SE 40th ANNIVERSARY EDITION ABS PARTS DIAGRAM

E1323



2024 NINJA® 500 SE 40th ANNIVERSARY EDITION ABS PARTS LIST

Balancer

ITEM NAME	PART NUMBER	QUANTITY
SHAFT-COMP,BALANCER (Ref # 13234)	13234-0627	1
BUSHING,BALANCER,BLUE (Ref # 92139)	92139-0883	AR
BUSHING,BALANCER,BLACK (Ref # 92139A)	92139-0884	4
BUSHING,BALANCER,BROWN (Ref # 92139B)	92139-0885	AR