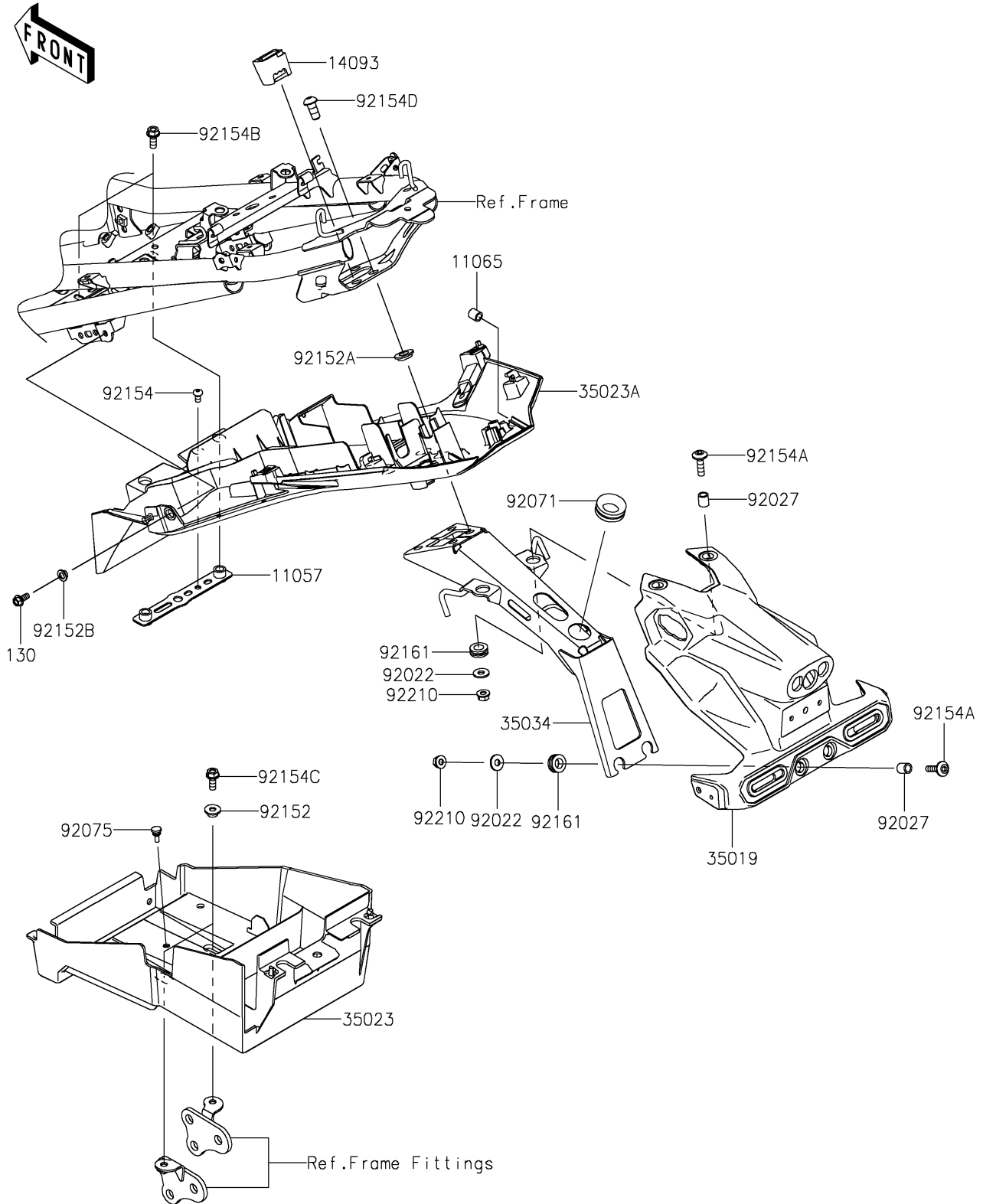


# 2024 NINJA® 500 SE 40th ANNIVERSARY EDITION ABS PARTS DIAGRAM

F2172



# 2024 NINJA® 500 SE 40th ANNIVERSARY EDITION ABS PARTS LIST

## Rear Fender(s)

ITEM NAME	PART NUMBER	QUANTITY
BRACKET (Ref # 11057)	11057-1191	1
CAP (Ref # 11065)	11065-0156	2
COVER,RR FENDER (Ref # 14093)	14093-1533	1
FLAP (Ref # 35019)	35019-0639	1
FENDER-REAR (Ref # 35023)	35023-0438	1
FENDER-REAR (Ref # 35023A)	35023-0500	1
REINFORCE (Ref # 35034)	35034-0616	1
WASHER (Ref # 92022)	92022-2247	4
COLLAR,6.8X10X11.5 (Ref # 92027)	92027-1210	4
GROMMET (Ref # 92071)	92071-0709	1
DAMPER,6X10X15 (Ref # 92075)	92075-1808	1
COLLAR,6.5X10X6.4 (Ref # 92152)	92152-2287	2
COLLAR,10X20X4.5 (Ref # 92152A)	92152-2392	4
COLLAR,6X8X4.5 (Ref # 92152B)	92152-2395	2
BOLT,SOCKET,5X10 (Ref # 92154)	92154-1547	1
BOLT,SOCKET,6X22 (Ref # 92154A)	92154-2234	4
BOLT,FLANGED,6X16 (Ref # 92154B)	92154-2895	2
BOLT,FLANGED,6X16 (Ref # 92154C)	92154-2900	2
BOLT,SOCKET,8X18 (Ref # 92154D)	92154-3739	4
DAMPER,10X18X6.5 (Ref # 92161)	92161-2091	4
NUT,FLANGED,6MM (Ref # 92210)	92210-1514	4
BOLT-FLANGED,5X12 (Ref # 130)	130BA0512	2