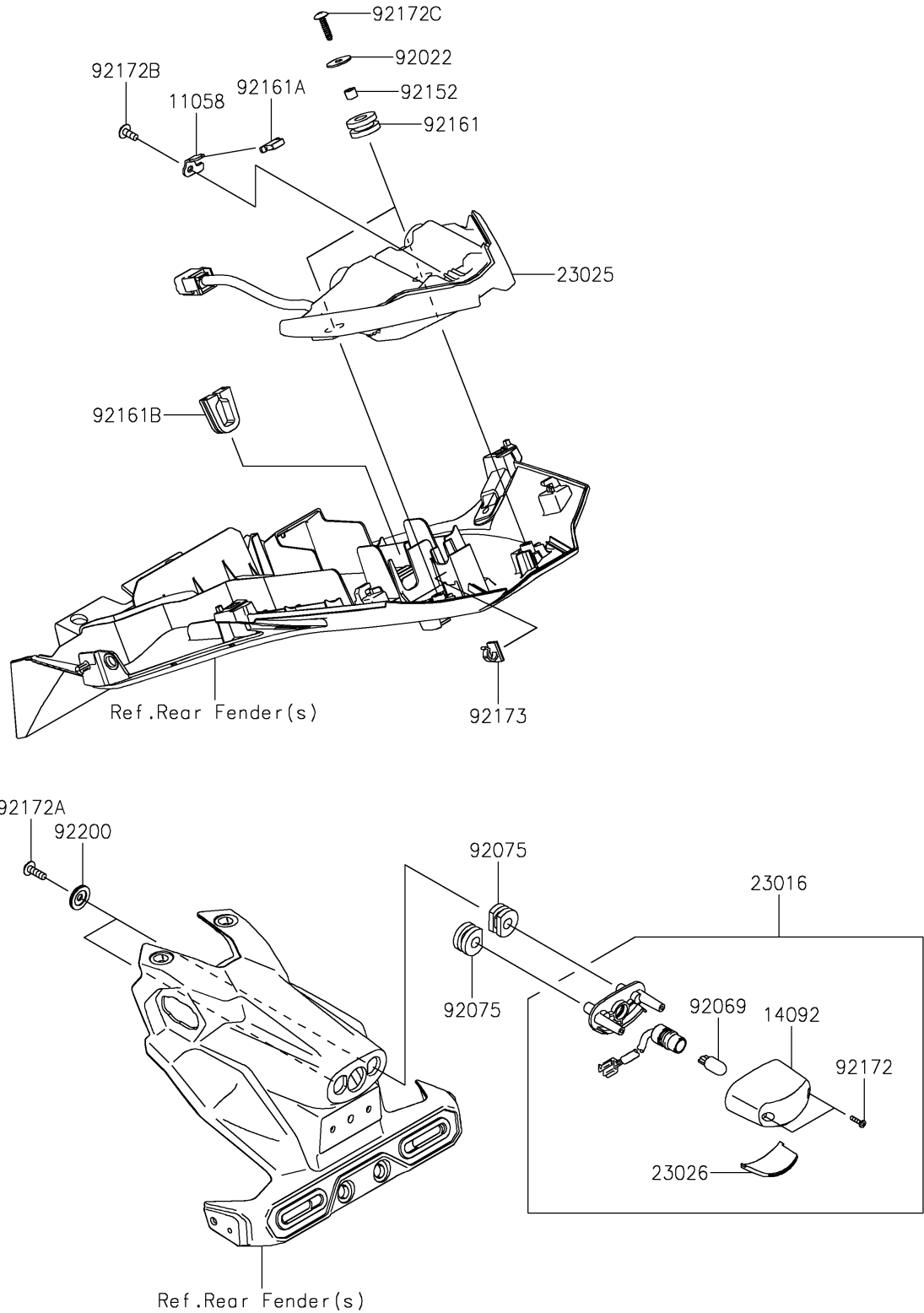


2024 NINJA® 500 SE 40th ANNIVERSARY EDITION ABS PARTS DIAGRAM

F2720



2024 NINJA® 500 SE 40th ANNIVERSARY EDITION ABS PARTS LIST

Taillight(s)

ITEM NAME	PART NUMBER	QUANTITY
BRACKET,TAIL LAMP (Ref # 11058)	11058-1169	1
COVER,LICENSE LAMP (Ref # 14092)	14092-0001	1
LAMP-ASSY,LICENCE (Ref # 23016)	23016-0657	1
LAMP-TAIL,LED (Ref # 23025)	23025-0403	1
LENS,LICENCE LAMP (Ref # 23026)	23026-0035	1
WASHER,5.5X20X1.2 (Ref # 92022)	92022-1405	2
BULB,12V 5W (Ref # 92069)	92069-1016	1
DAMPER (Ref # 92075)	92075-1870	2
COLLAR,5.5X10X7.5 (Ref # 92152)	92152-2618	2
DAMPER (Ref # 92161)	92161-0163	2
DAMPER (Ref # 92161A)	92161-1917	1
DAMPER,RR FENDER (Ref # 92161B)	92161-1984	1
SCREW,TAPPING,2.9X13 (Ref # 92172)	92172-0343	2
SCREW,TAPPING,5X16 (Ref # 92172A)	92172-0427	2
SCREW,5X12 (Ref # 92172B)	92172-0821	1
SCREW,TAPPING,5X20 (Ref # 92172C)	92172-1159	2
CLAMP,CLIP (Ref # 92173)	92173-1783	1
WASHER,5.5X20X2 (Ref # 92200)	92200-1971	2